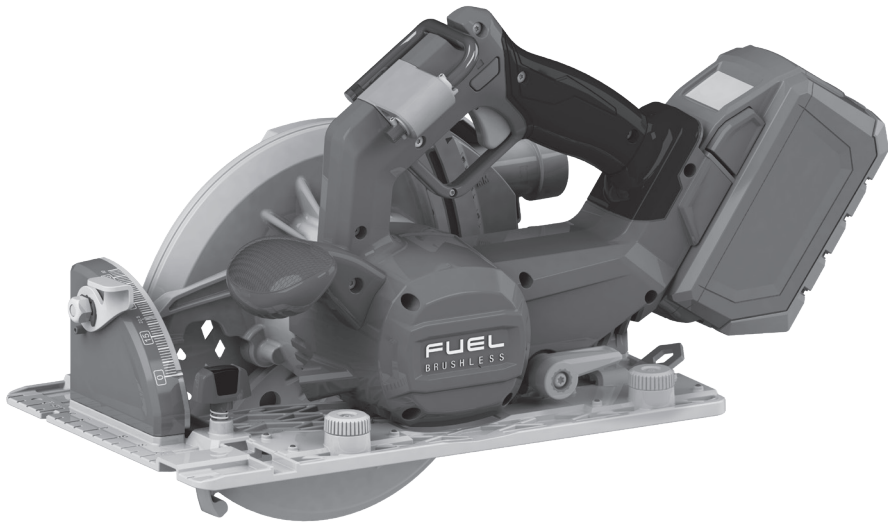


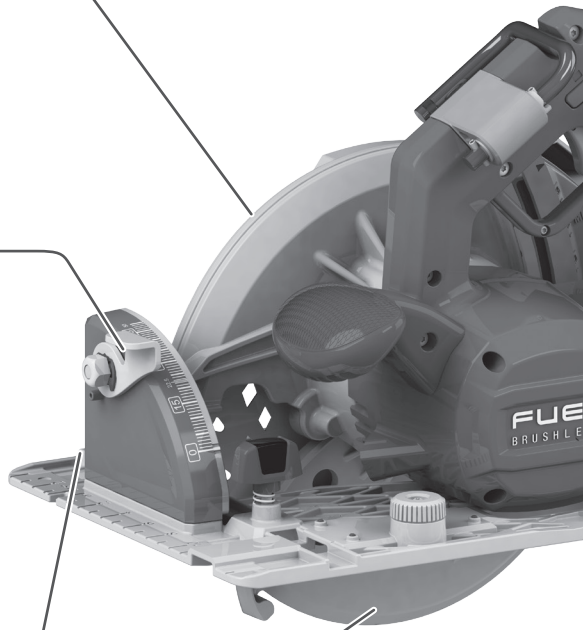
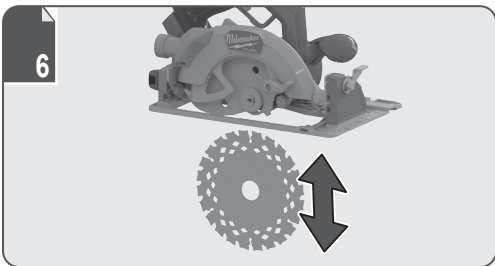
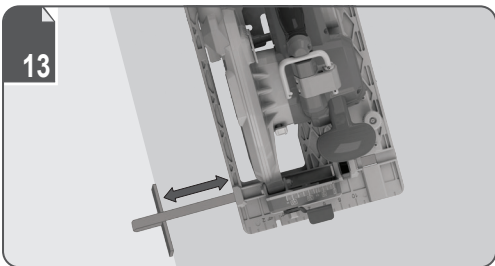
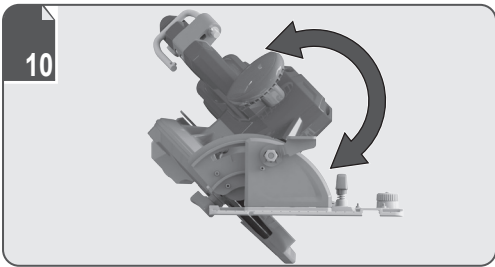
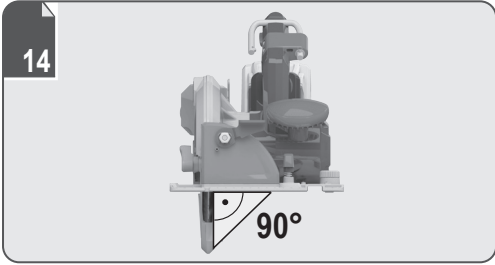
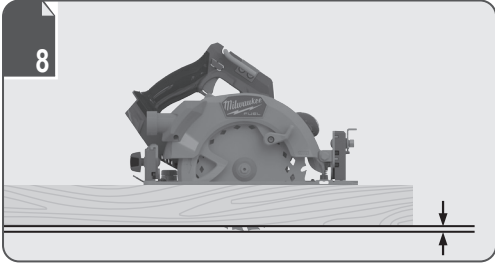
Milwaukee™

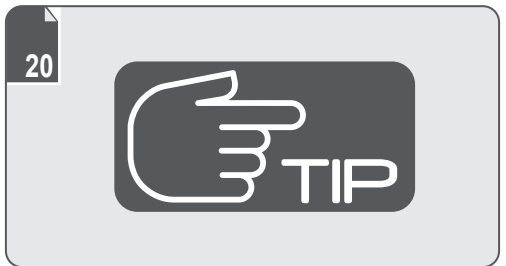
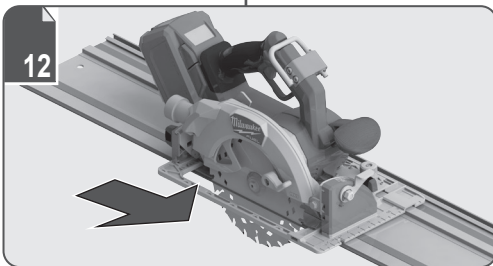
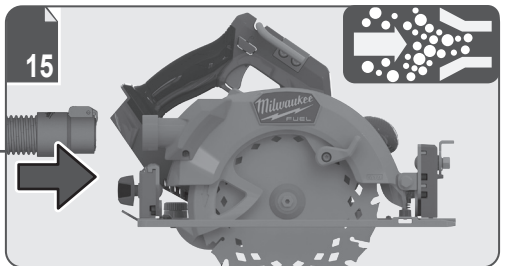
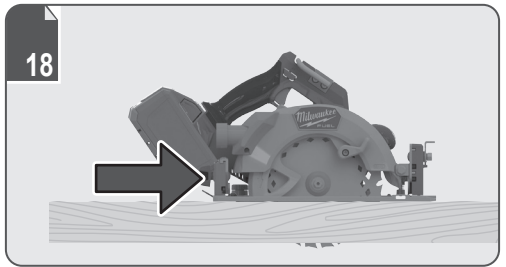
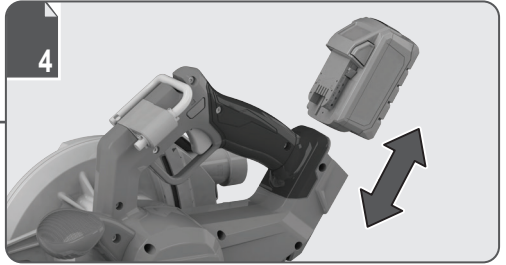
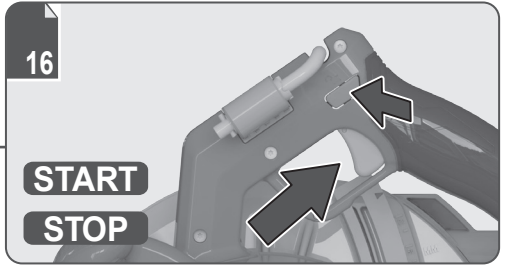
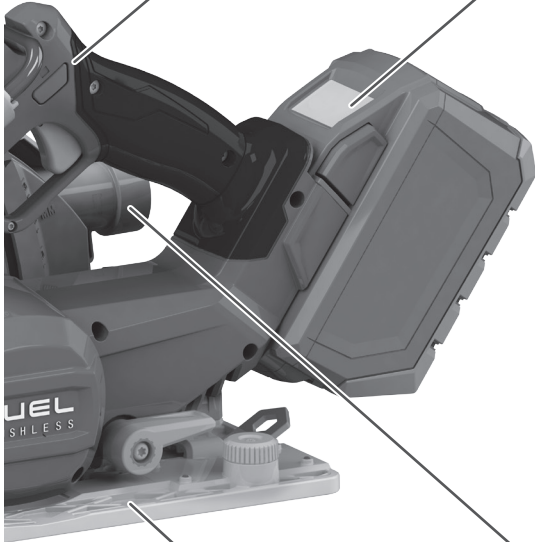
Nothing but **HEAVY DUTY.™**

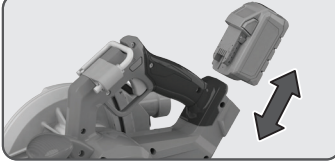


M18 FCS66GR3

- ⓔ User Manual
- ⓩ 操作指南
- ⓩ 操作指南
- Ⓚ 사용시 주의사항
- Ⓣ คู่มือการใช้งาน
- Ⓜ Buku Petunjuk Pengguna
- Ⓥ Cẩm nang hướng dẫn sử dụng
- Ⓜ 取扱説明書







Remove the battery pack before starting any work on the product.

對產品進行任何工作前，先移除電池組。
在开始任何工作之前，请先取出电池。

제품을 청소하거나 분리하기 전, 배터리 팩을 제거하십시오.

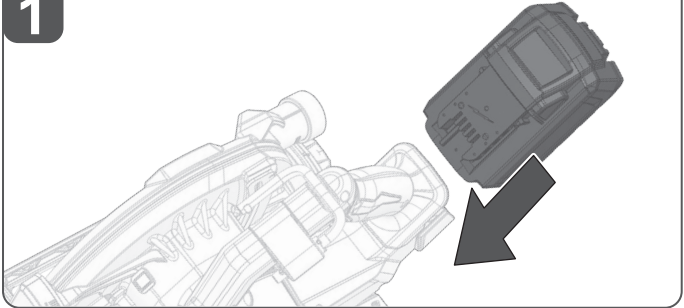
ถอดแบตเตอรี่ออกก่อนเริ่มการบำรุงรักษา

Lepaskan paket baterai sebelum memulai pekerjaan apa pun pada produk.

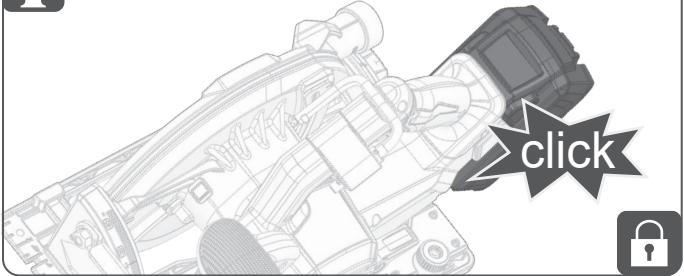
Tháo pin trước khi bắt đầu thao tác với sản phẩm.

作業前の調整時や保守・点検時は、本体からバッテリーを取り外してください。

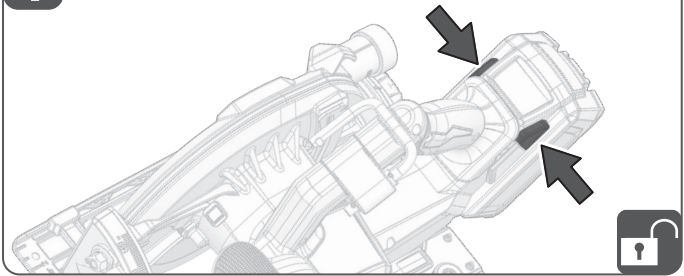
1



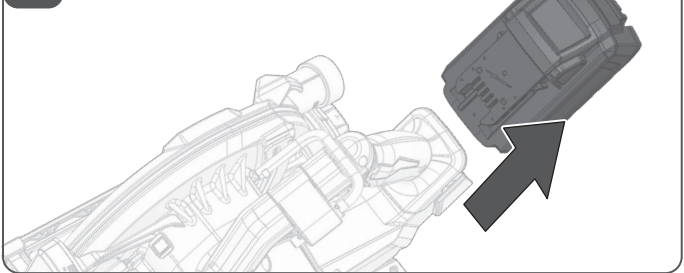
i

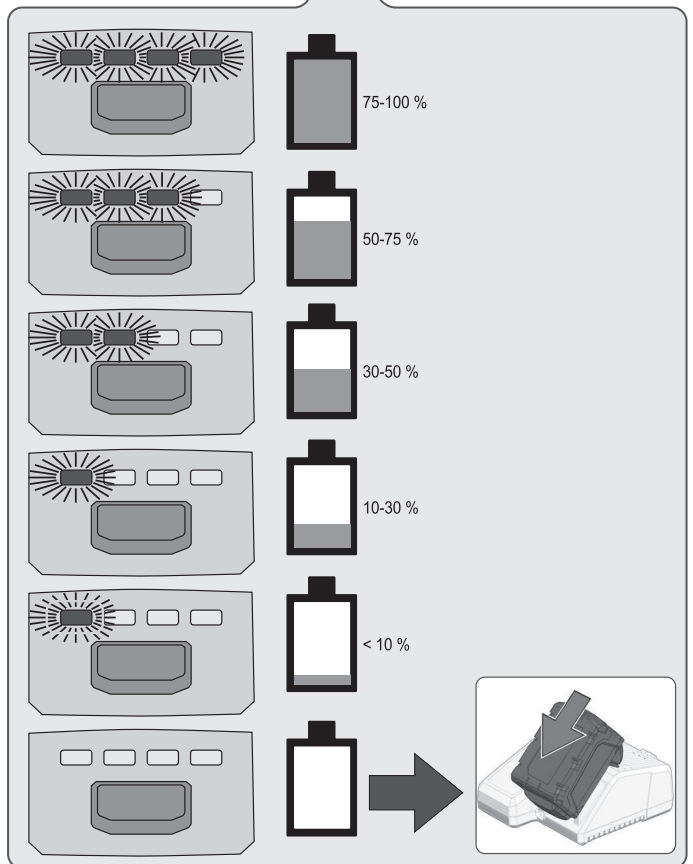
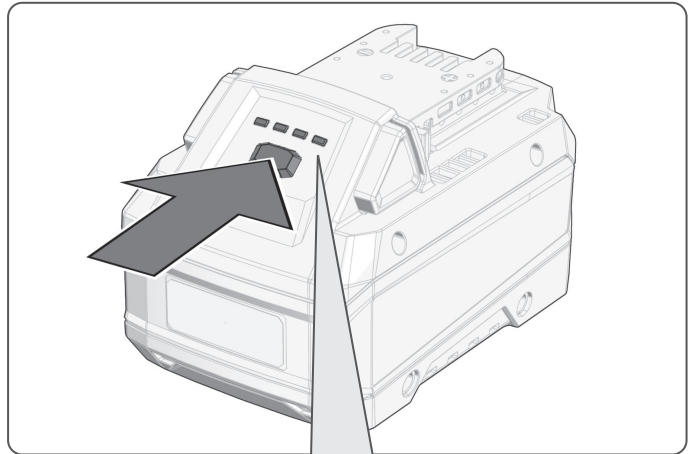


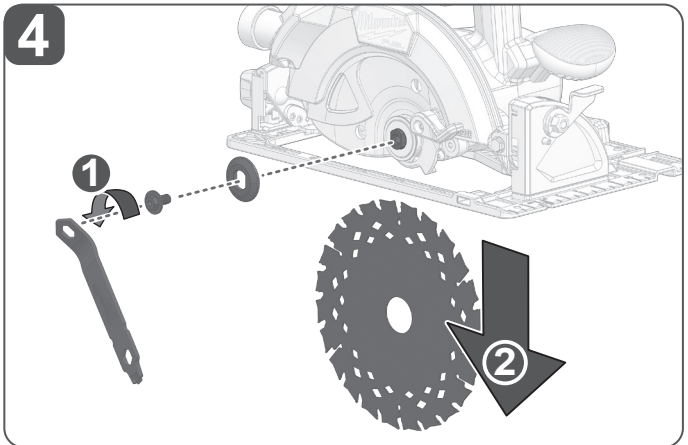
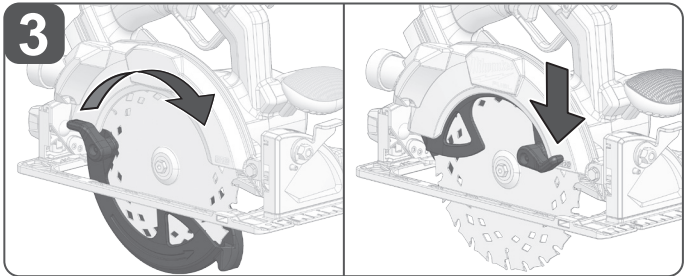
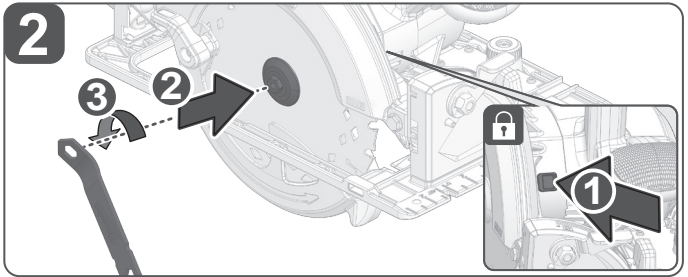
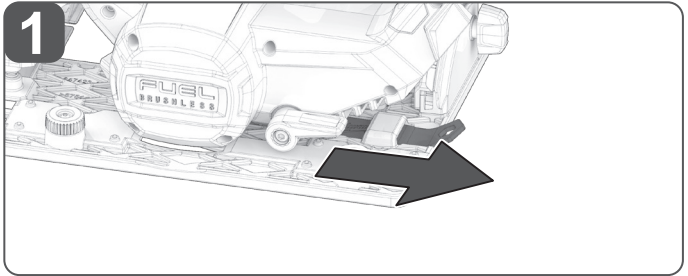
1

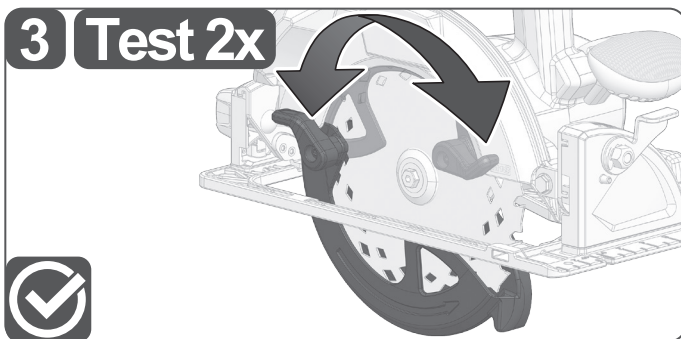
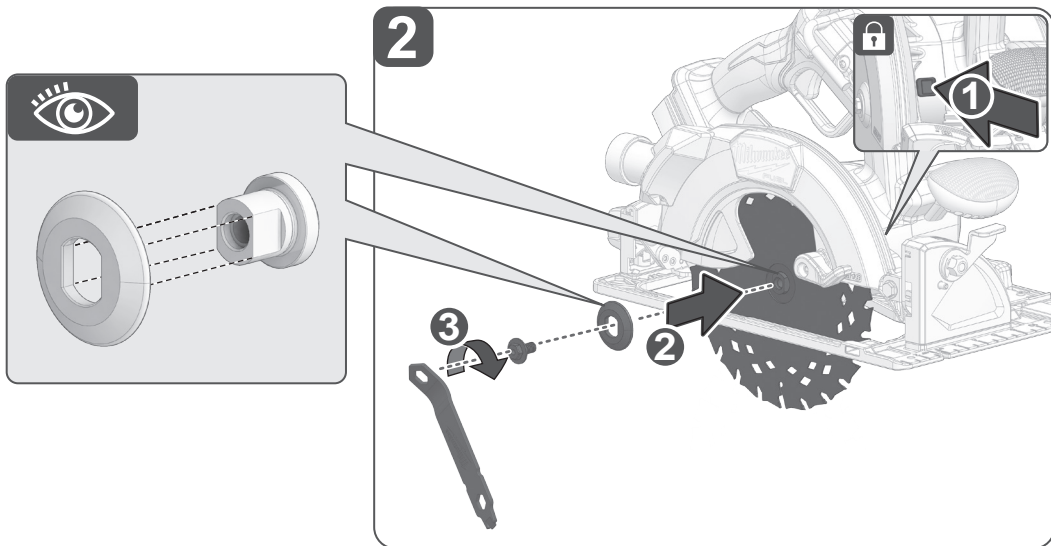
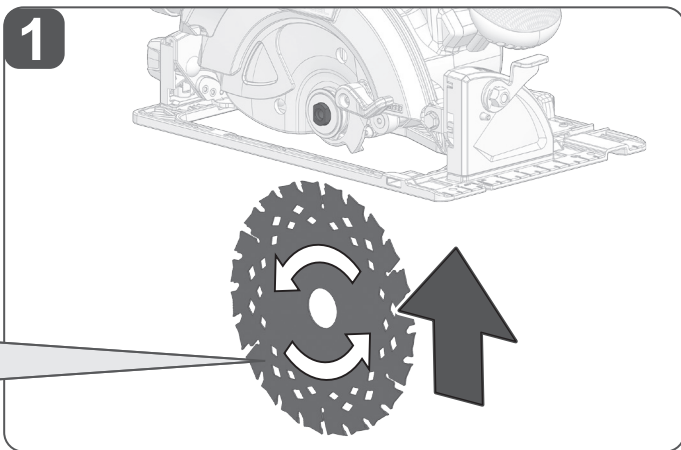
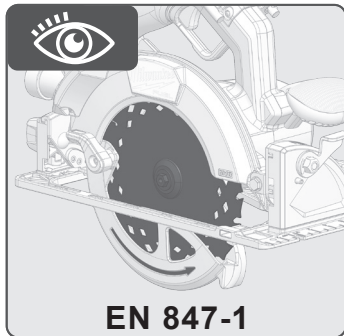


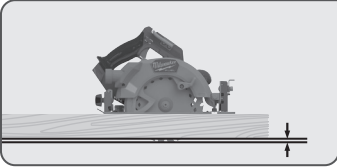
2











Adjust the cutting depth to the thickness of the workpiece. Less than a full tooth of the blade teeth should be visible below the workpiece.

根據工件的厚度調整切割深度。深度不得超過工件下方一個鋸齒的長度。

根據工件的厚度調整切割深度。深度不得超過工件下方一個鋸齒的長度。

절단 깊이를 작업물의 두께에 맞게 조정합니다. 톱날의 톱니 하나 이상이 작업물 아래로 보이지 않아야 합니다.

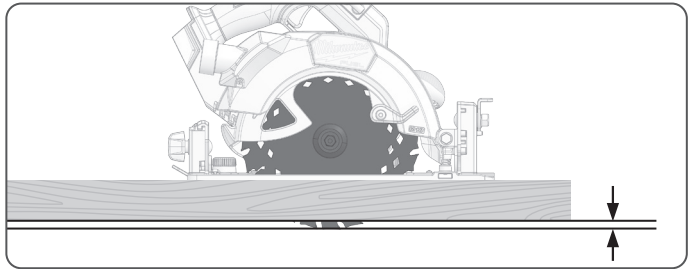
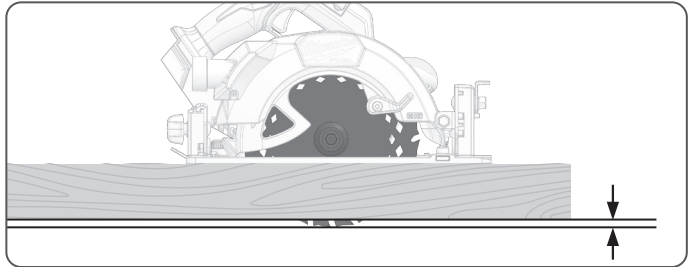
ปรับความลึกในการตัดให้เหมาะสมกับความหนาของชิ้นงาน ควรสามารถมองเห็นฟันของใบเลื่อยไม่เต็มซี่ได้ชิ้นงาน

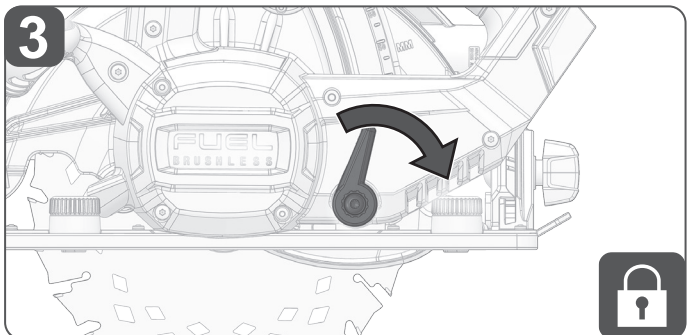
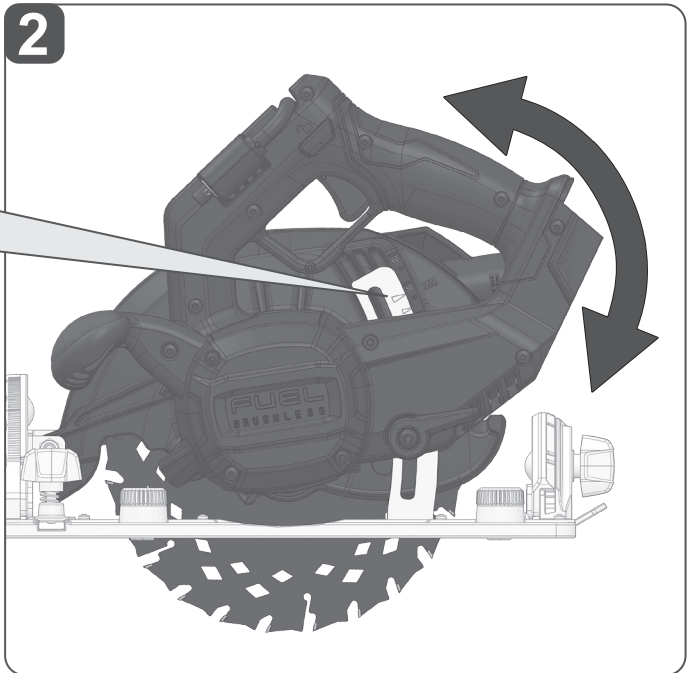
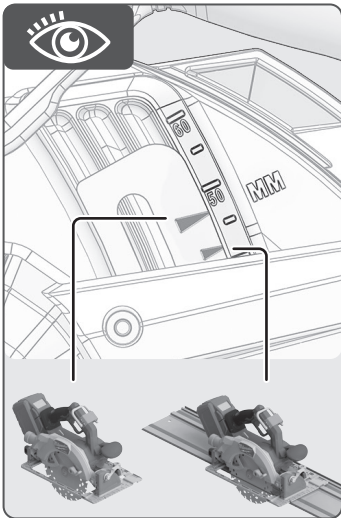
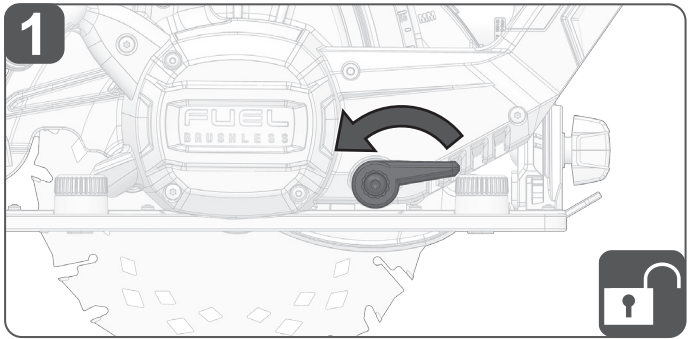
Sesuaikan kedalaman pemotongan dengan ketebalan benda kerja.

Sepanjang kurang dari satu gigi penuh gigi bilah harus terlihat di bawah benda kerja.

Điều chỉnh độ sâu cắt theo độ dày của phôi. Phải nhìn thấy một phần của toàn bộ răng cưa bên dưới phôi.

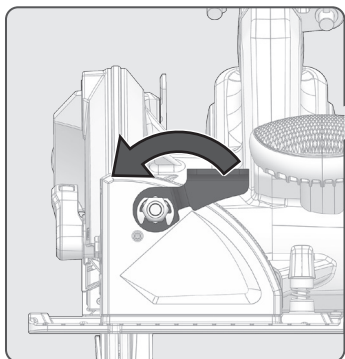
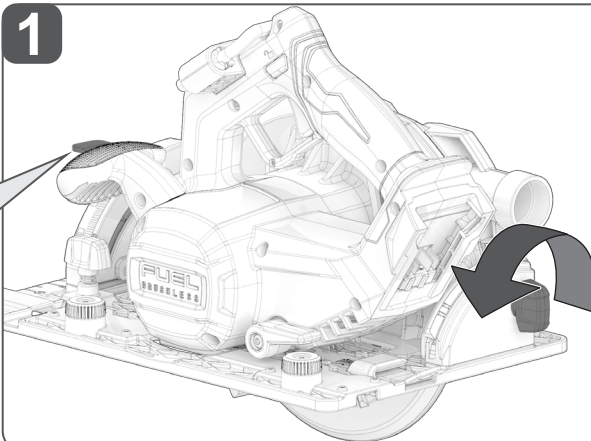
切削の深さを部材の厚みに合わせて調整します。鋸刃が部材下に見える場合、鋸歯の一部だけが見えるようにする必要があります。







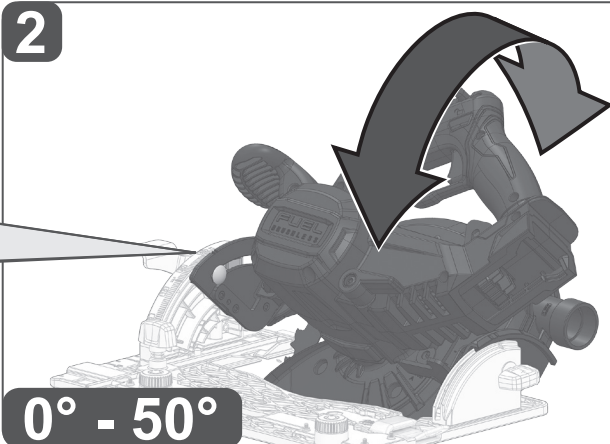
1



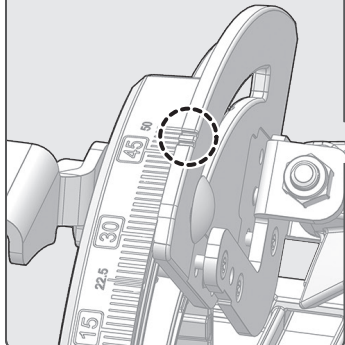
45°



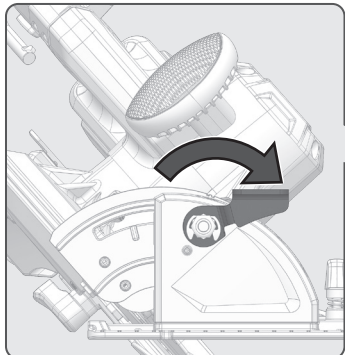
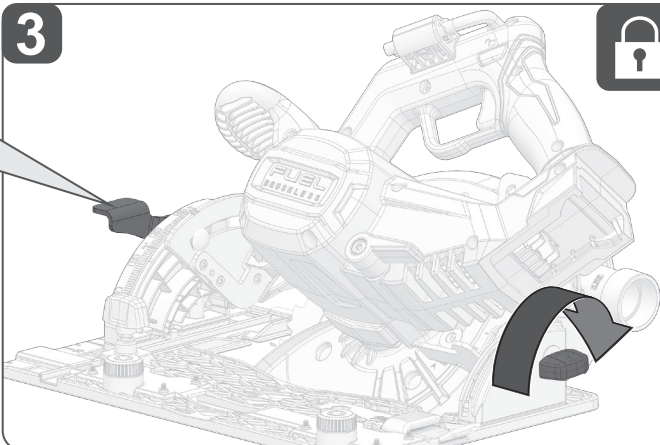
2

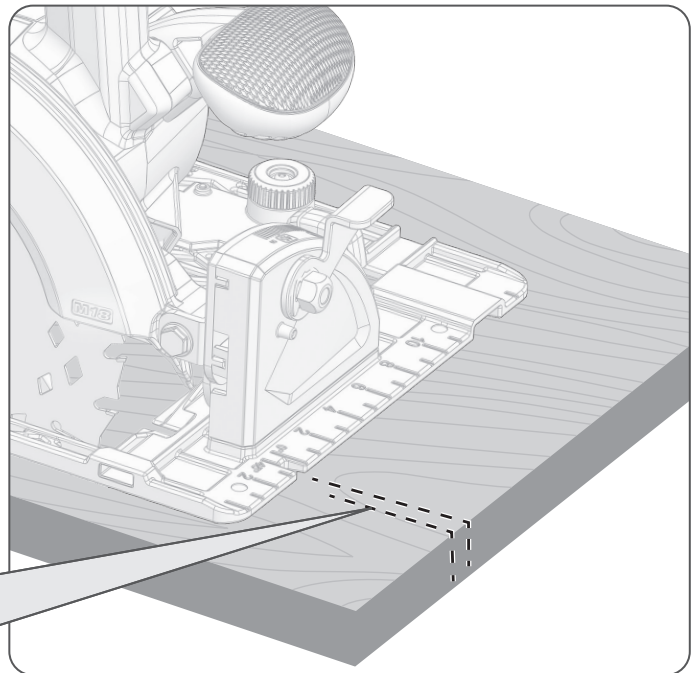
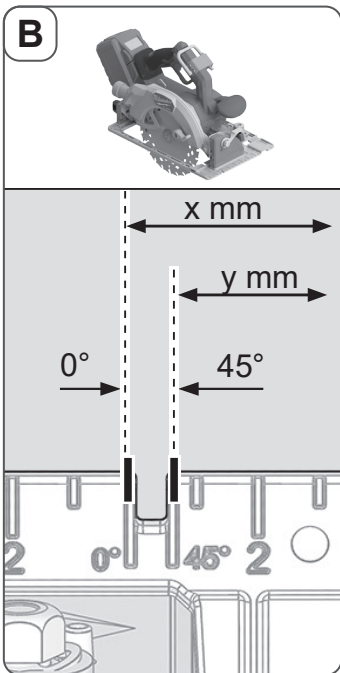
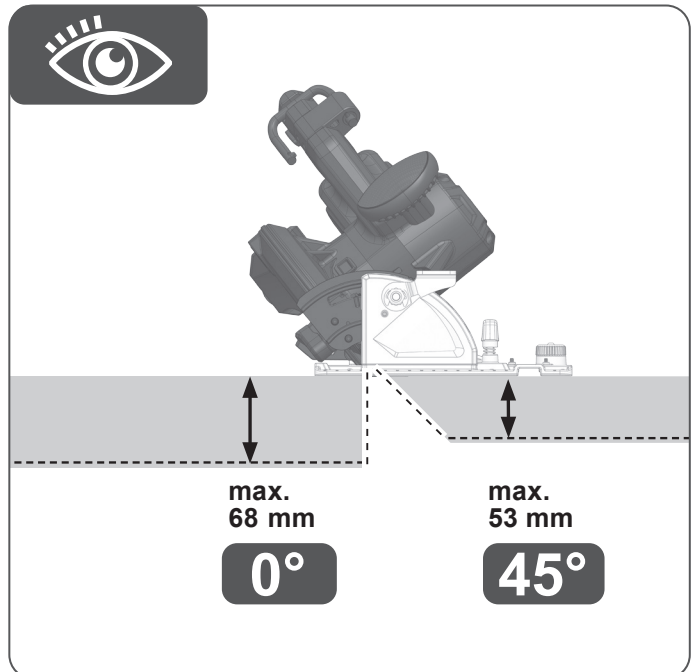
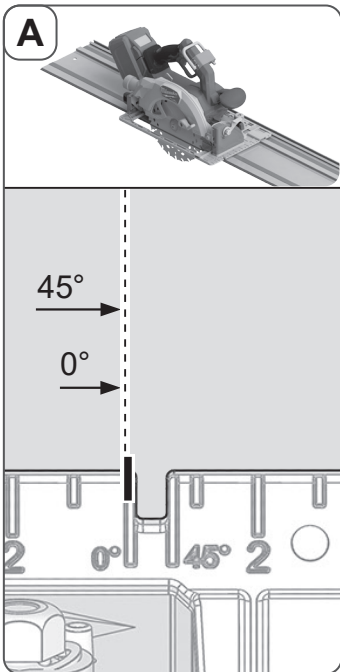


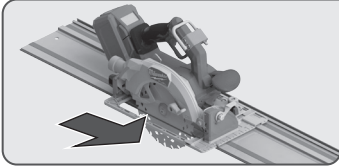
0° - 50°



3







Before first use, cut the rubber lip of the guide rail.

首次使用前，剪掉導軌的橡膠前唇。

首次使用前，剪掉導軌的橡膠前唇。

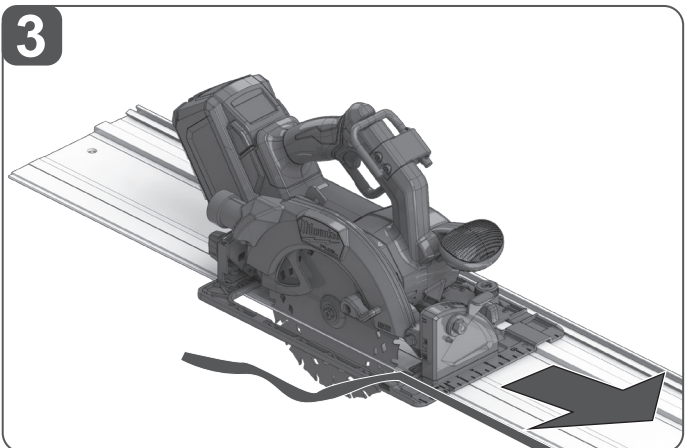
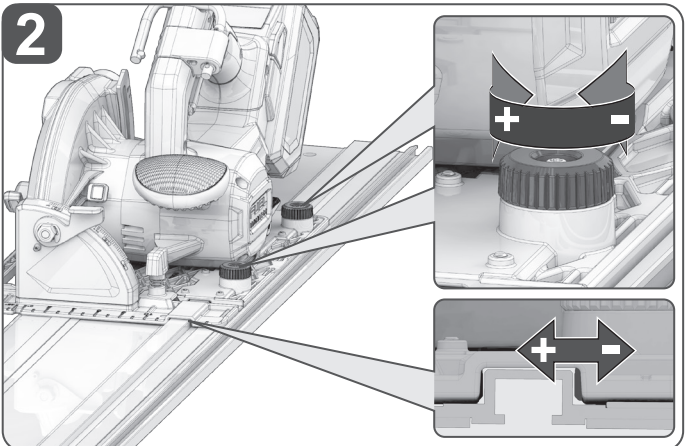
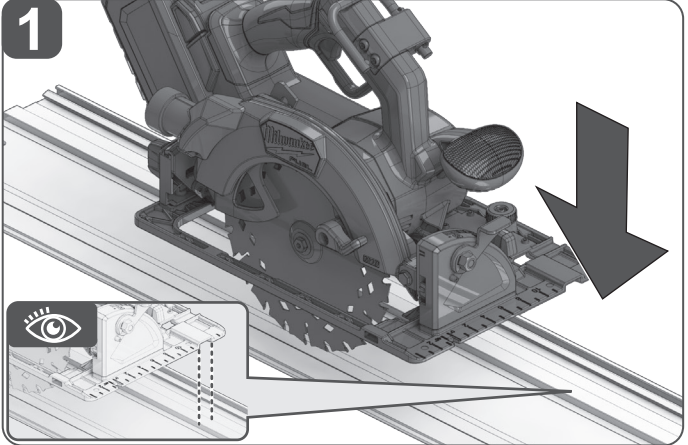
제품을 처음 사용하기 전에 가이드 레일의 고무 립을 절단하십시오.

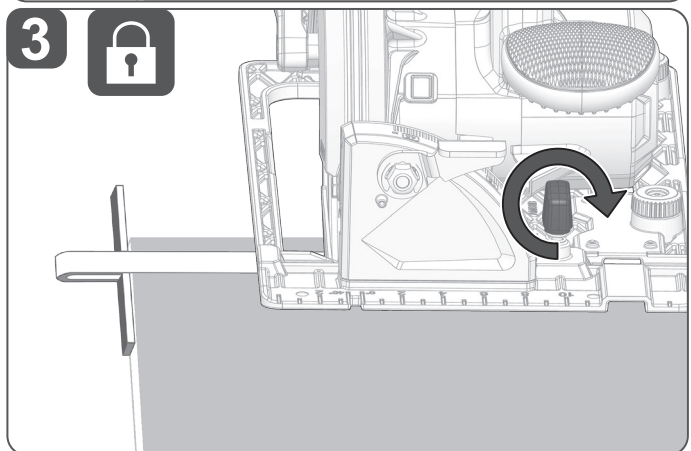
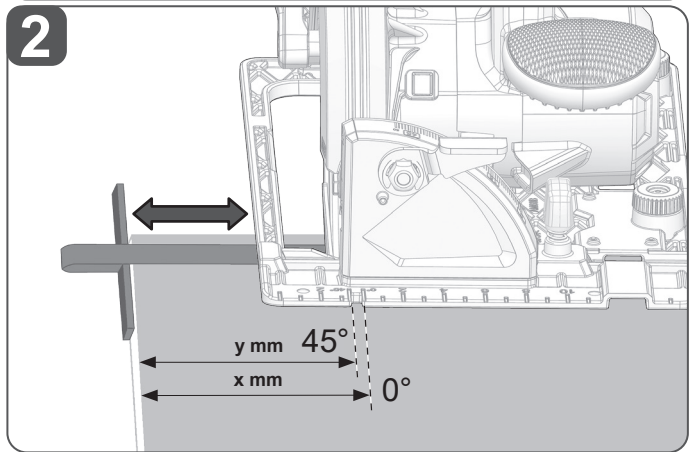
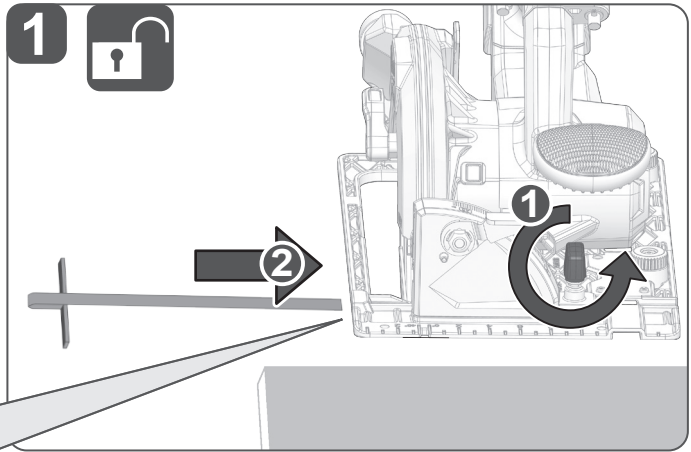
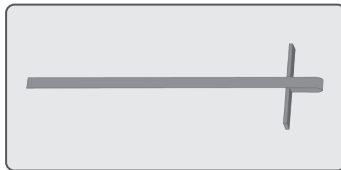
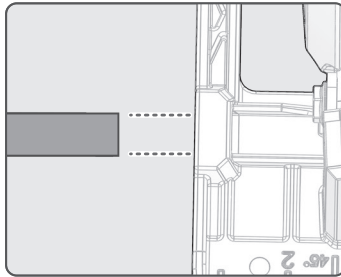
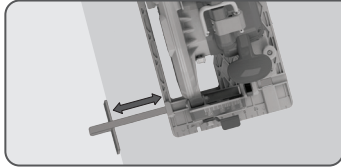
ตัดขอบยางของรางนำก่อนการใช้งานผลิตภัณฑ์ครั้งแรก

Potong tepian karet rel pemandu sebelum menggunakan produk untuk pertama kali.

Cắt vành cao su của thanh dẫn hướng trước lần sử dụng sản phẩm đầu tiên.

本製品を最初に使用する前に、ガイドレールのラバーリップを切断してください。







If the 90° angle of the guide plate to the saw blade needs to be adjusted, use the correction screw.

如果需要調整導板與鋸片的 90° 角，請使用校正螺絲。

如果需要调整导板与锯片的 90° 角，请使用校正螺丝。

톱날에 대한 보호대 판의 90° 각도를 보정할 경우에는 보정 나사를 사용합니다.

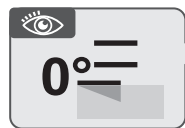
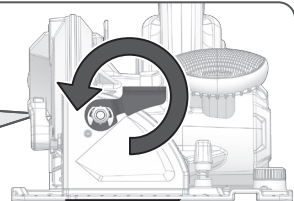
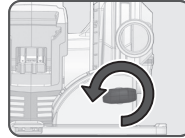
ถ้าจำเป็นต้องปรับมุม 90° ของแผ่นนำทางของใบเลื่อย ให้ใช้สกรูการปรับแก้

Jika diperlukan penyesuaian sudut 90° antara pelat pengarah dan bilah gergaji, gunakan sekrup koreksi.

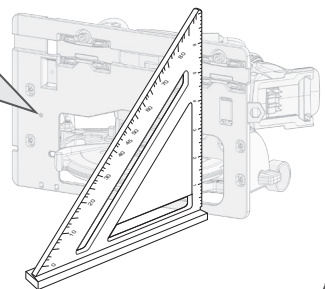
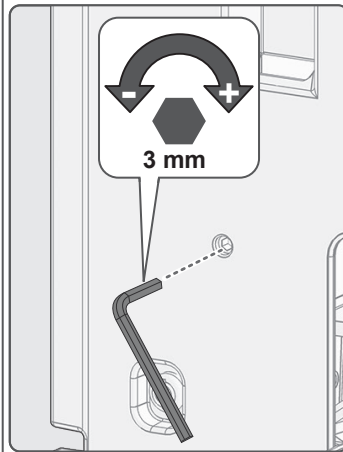
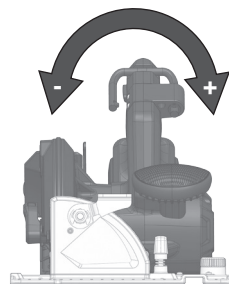
Nếu cần điều chỉnh góc 90° của tấm dẫn hướng với lưỡi cưa, hãy sử dụng vít điều chỉnh.

ガイドプレートと鋸刃の 90°の角度を調整する必要がある場合は、修正ねじを使用してください。

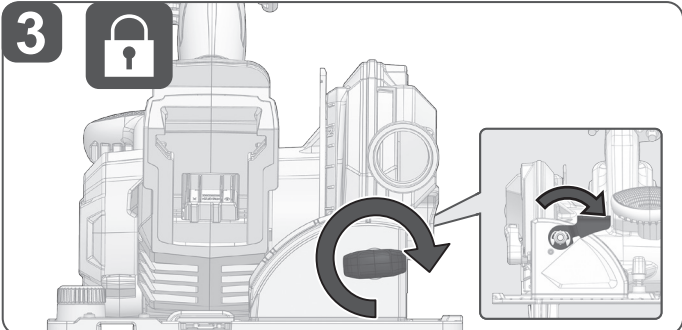
1

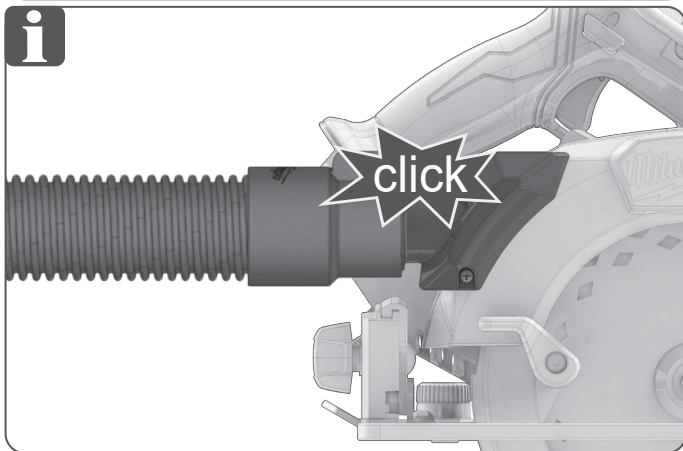
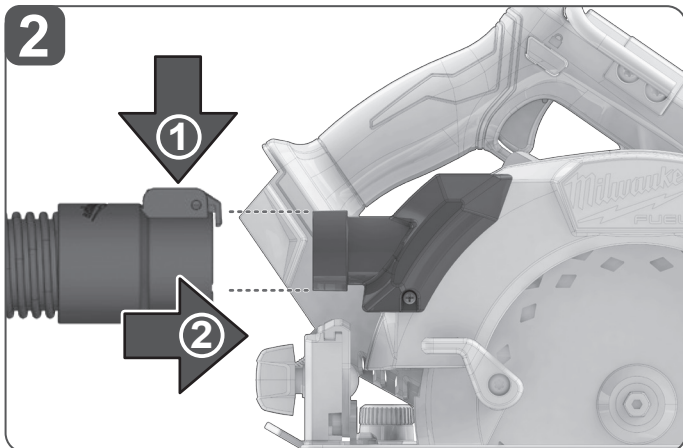
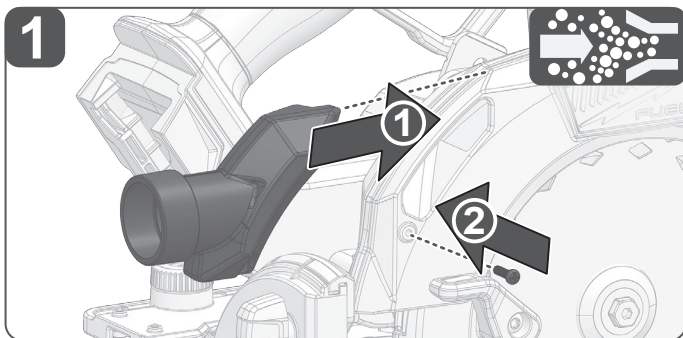


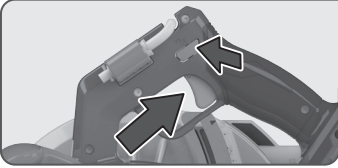
2



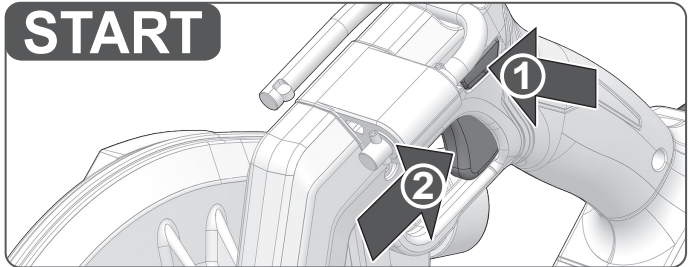
3



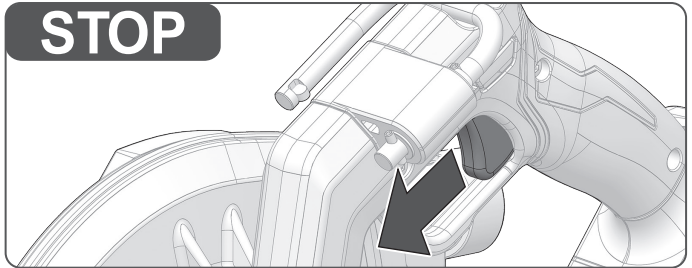




START



STOP



For safety, the product is fitted with a switch lock, and the switch trigger cannot be locked in the on position.

基於安全理由，工具配有開關鎖，而且觸發器不能鎖定在開的位置。

基于安全理由，工具配有开关锁，而且触发器不能锁定在开的位置。

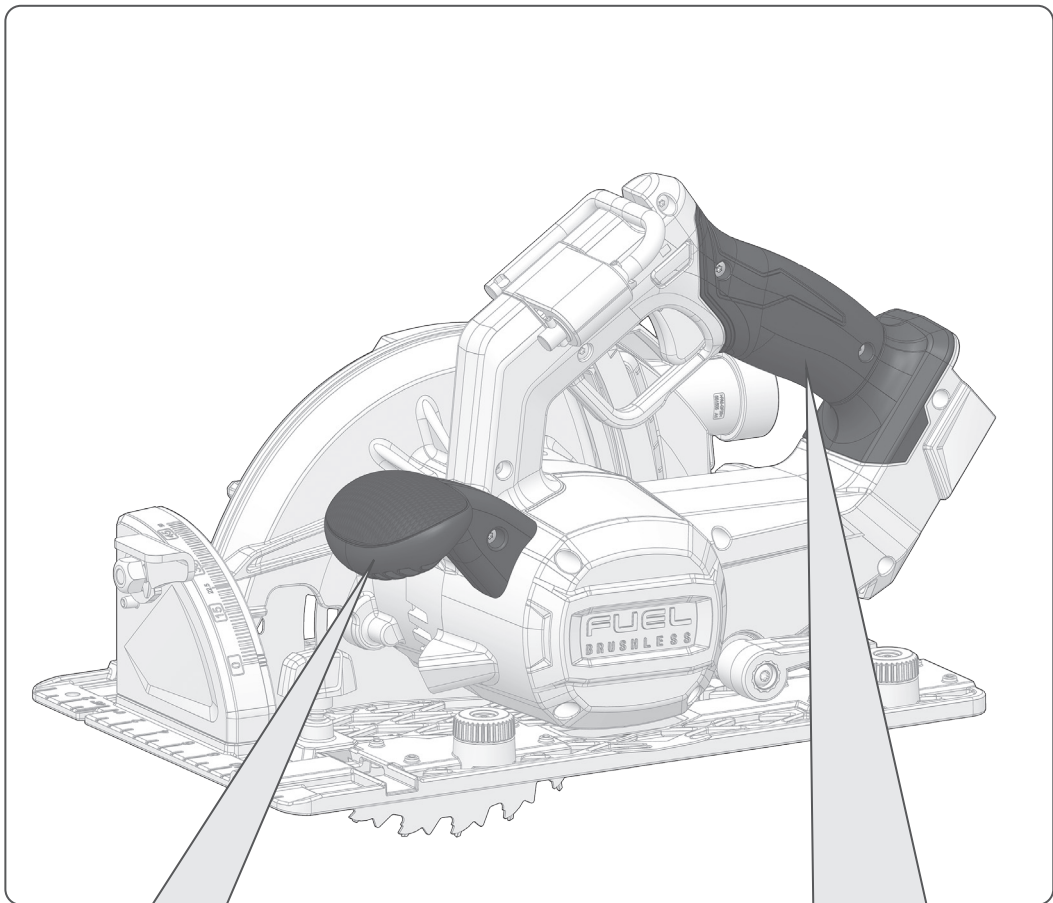
안전을 위해 제품에는 스위치 잠금장치가 있습니다. 스위치 방향을 켜진 켜짐 위치에서 잠글 수 없습니다.

เพื่อความปลอดภัย ผลิตภัณฑ์นี้ติดตั้งตัวล็อกสวิตช์ และจะไม่สามารถล็อกหรือเกอร์สวิตช์ได้ในตำแหน่งเปิด

Untuk alasan keselamatan, produk diamankan dengan kunci sakelar, dan pelatuk sakelar tidak dapat terkunci pada posisi menyala.

Vi lý do an toàn, sản phẩm được trang bị khóa công tắc và bộ khởi động chuyển mạch không được khóa ở vị trí bật.

安全上の理由から、本製品にはスイッチロックが装備されています。スイッチトリガーをオンの位置でロックすることはできません。



Insulated gripping surface

絶縁の把手

绝缘的把手

절연 그립 표면

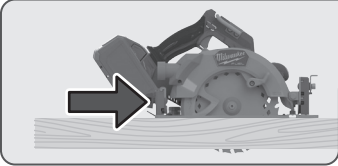
พื้นผิวจับกันความร้อน

Permukaan genggam

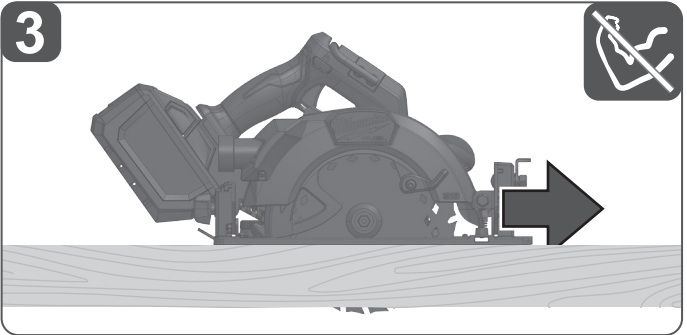
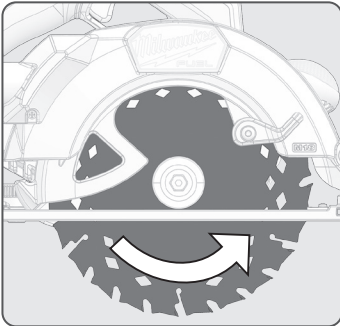
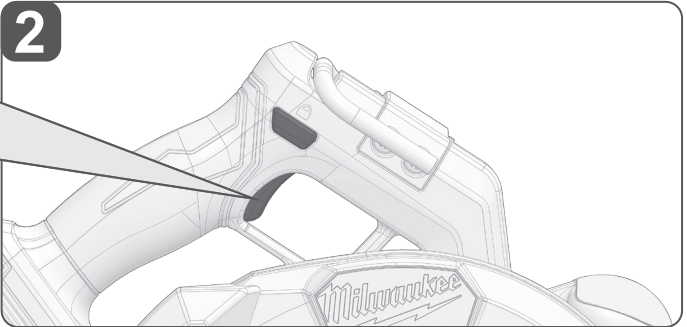
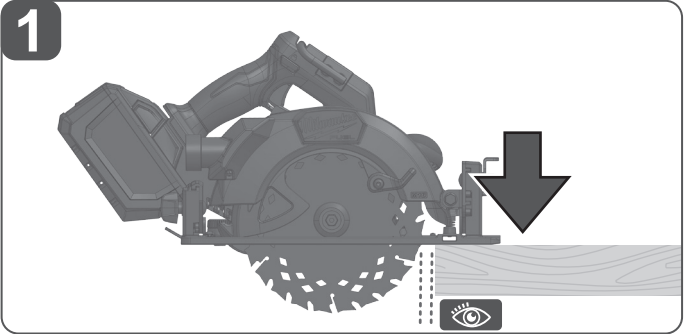
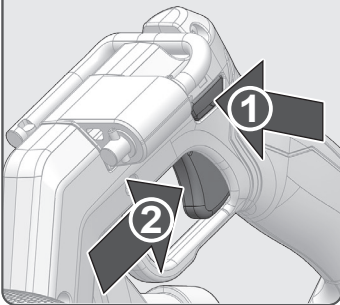
berinsulasi

Bề mặt cầm được cách điện

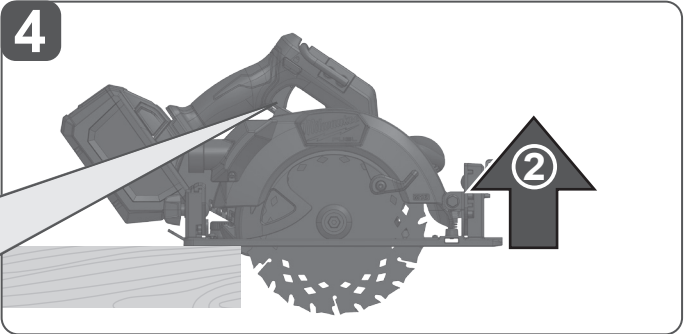
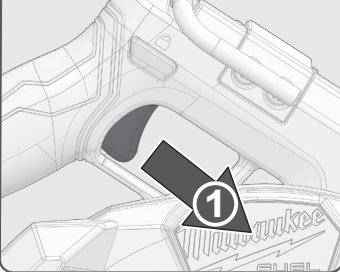
絶縁グリップ面

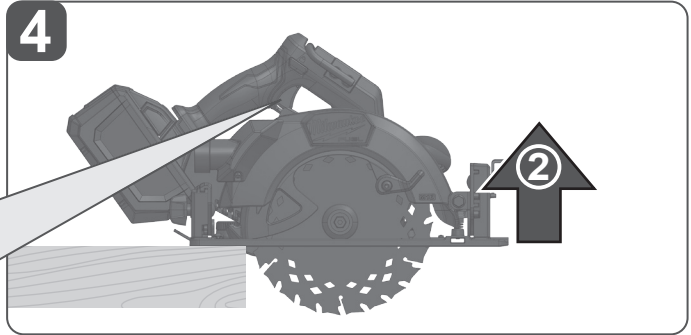
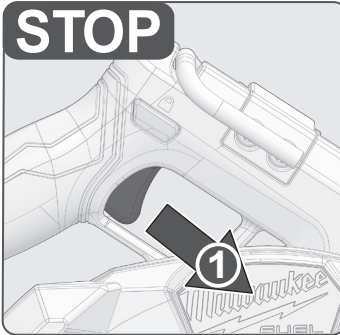
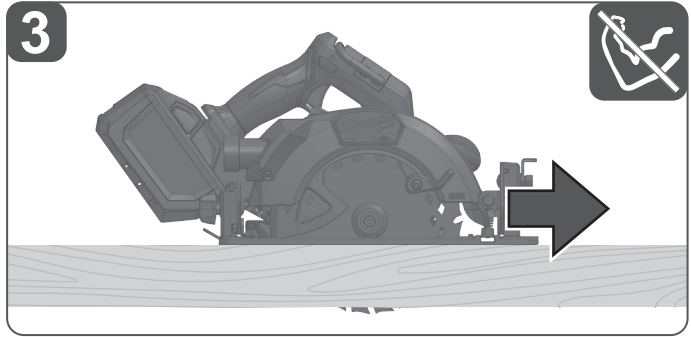
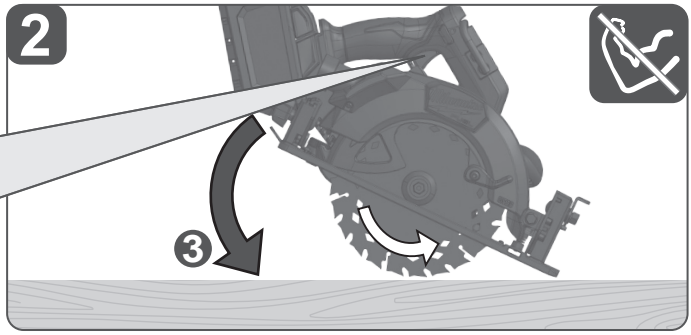
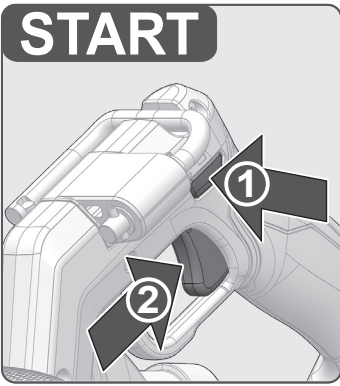
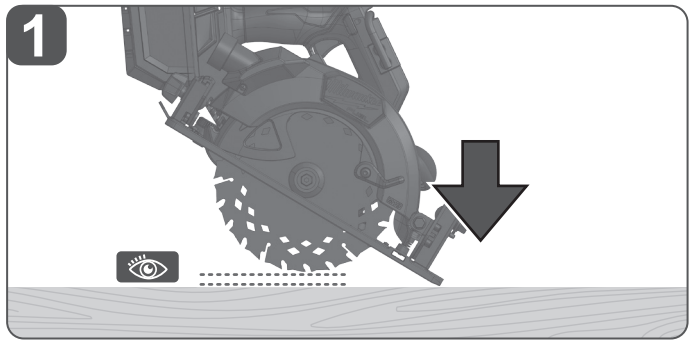


START

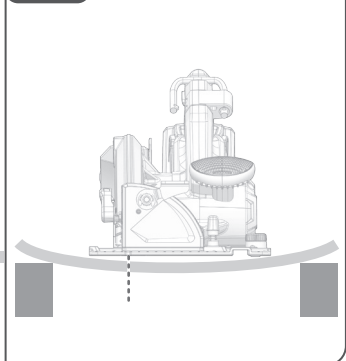
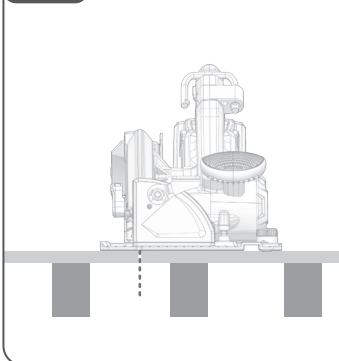
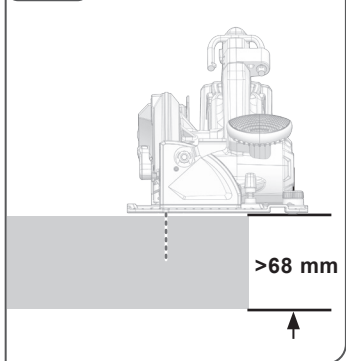
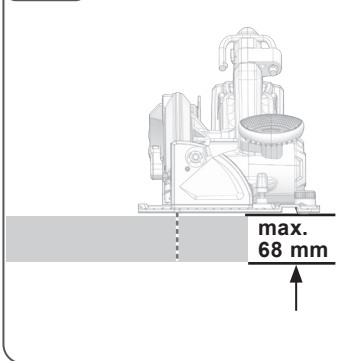
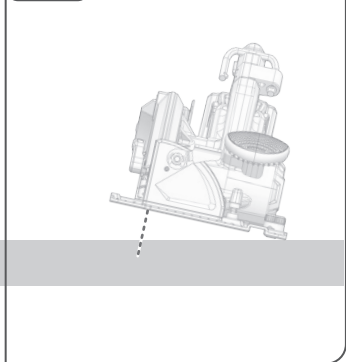
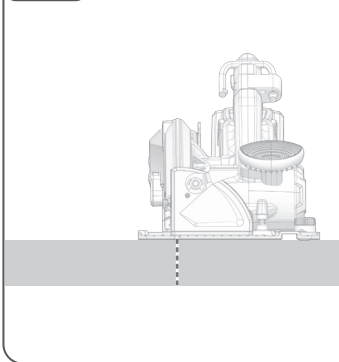


STOP

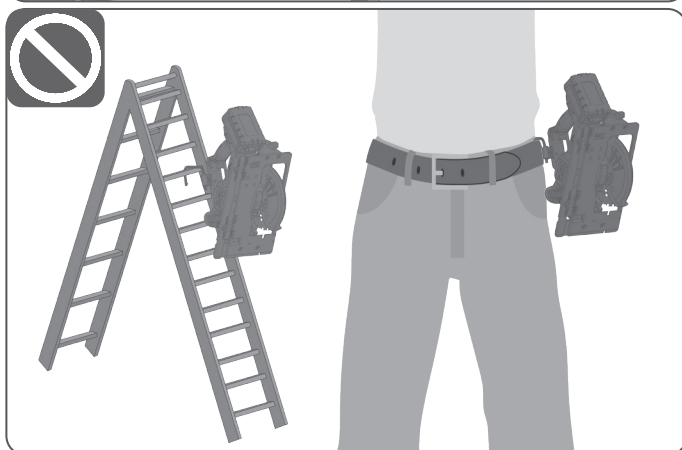
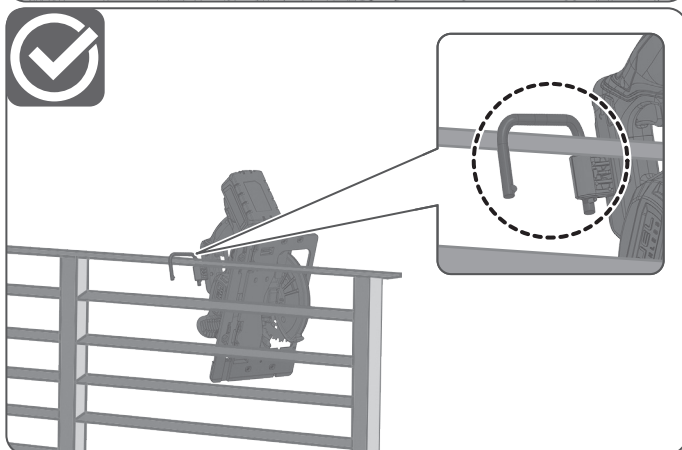
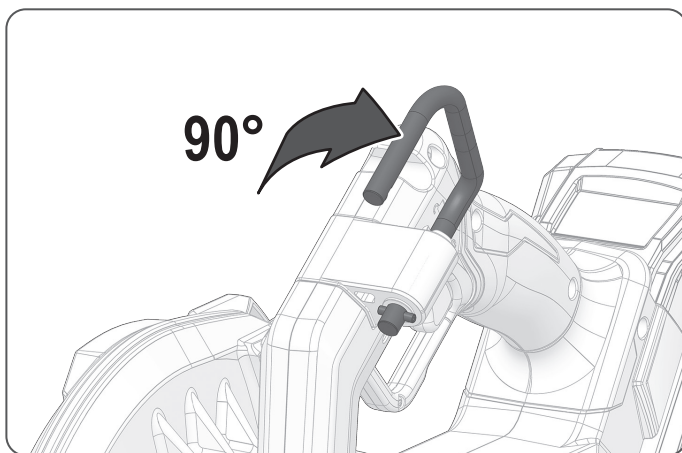
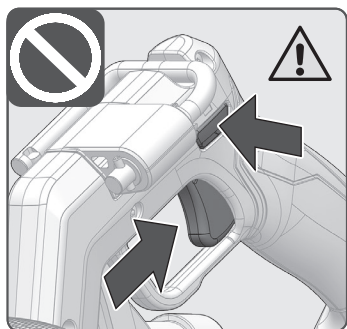




TIP



 TIP



3 TIP



If stored, protect the product from frost, moisture, heat, and excessive sunlight.

如果存放，請保護工具免受霜凍、潮濕、高溫 and 過度陽光照射。

如果存放，請保護工具免受霜凍、潮濕、高溫 and 過度陽光照射。

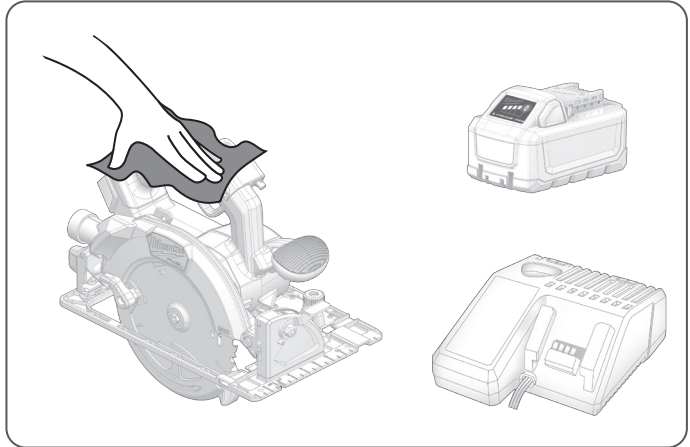
공구를 보관할 때는 서리, 습기, 열, 그리고 과도한 직사광선으로부터 공구를 보호하십시오.

ในการจัดเก็บ ให้ป้องกันเครื่องมือจากน้ำแข็ง ความชื้น ความร้อน และแสงแดดจ้า

Saat disimpan, lindungi alat dari pembekuan, kelembapan, panas, dan sinar matahari berlebih.

Nếu bảo quản, hãy bảo vệ các dụng cụ không tiếp xúc với sương giá, độ ẩm, nguồn nhiệt và ánh sáng quá mức.

保管する場合には、霜や湿気、熱、強い日光からツールを保護してください。



TECHNICAL DATA	M18 FCS66GR3
Type	Cordless circular saw
Battery voltage	18 V ---
No-load speed	6000 min ⁻¹
Saw blade diameter × Hole diameter	190 mm × 25.4/20 mm
Saw blade thickness - plate/kerf	1.2 mm / 1.8 mm
Blade teeth	24
Bevel scale	0° – 50°
Max cutting depth at 0° / 45°	68 mm / 53 mm
Weight according to EPTA-Procedure 01/2014 (Li-Ion 2.0 Ah – 12.0 Ah)	4.2 kg – 5.7 kg
Recommended ambient operating temperature	-18 – +50 °C
Recommended battery pack types	M18B..., M18 HB..., M18 FB...
Recommended chargers	M12-18..., M18 DFC, M18 PC6, M18 DBSC

Noise information

Noise emission values determined according to EN 62841

A-weighted sound pressure level	100.7 dB(A)
Uncertainty K	3 dB(A)
A-weighted sound power level	108.7 dB(A)
Uncertainty K	3 dB(A)

Always wear ear protectors.

Vibration information

Total vibration values (vector sum in the three axes) determined according to EN 62841

Vibration emission value a_h / Uncertainty K

Sawing of wood	2.58 m/s ²
Uncertainty K	1.50 m/s ²
Sawing of metal	2.41 m/s ²
Uncertainty K	1.50 m/s ²

WARNING!

The declared vibration total values and the declared noise emission values given in this instruction manual have been measured in accordance with a standardised test and may be used to compare one tool with another. They may be used for a preliminary assessment of exposure.

The declared vibration and noise emission values represent the main applications of the tool. However, if the tool is used for different applications, used with different accessories, or poorly maintained, the vibration and noise emission may differ. These conditions may significantly increase the exposure levels over the total working period.

An estimation of the level of exposure to vibration and noise should take into account the times when the tool is turned off or when it is running idle. These conditions may significantly reduce the exposure level over the total working period.

Identify additional safety measures to protect the operator from the effects of vibration and noise, such as maintaining the tool and the accessories, keeping the hands warm (in case of vibration), and organising work patterns.

⚠ WARNING! Read all safety warnings, instructions, illustrations and specifications provided with this power tool. Failure to follow all instructions listed below may result in electric shock, fire, and/or serious injury.

Save all warnings and instructions for future reference.

CIRCULAR SAW SAFETY WARNINGS

CUTTING PROCEDURES

⚠ DANGER! Keep hands away from cutting area and the blade. Keep your second hand on auxiliary handle, or motor housing. If both hands are holding the saw, they cannot be cut by the blade.

Do not reach underneath the workpiece. The guard cannot protect you from the blade below the workpiece.

Adjust the cutting depth to the thickness of the workpiece. Less than a full tooth of the blade teeth should be visible below the workpiece.

Never hold the workpiece in your hands or across your leg while cutting. Secure the workpiece to a stable platform. It is important to support the work properly to minimise body exposure, blade binding, or loss of control.

Hold the power tool by insulated gripping surfaces, when performing an operation where the cutting tool may contact hidden wiring. Contact with a "live" wire will also make exposed metal parts of the power tool "live" and could give the operator an electric shock.

When ripping, always use a rip fence or straight edge guide. This improves the accuracy of cut and reduces the chance of blade binding.

Always use blades with correct size and shape (diamond versus round) of arbour holes. Blades that do not match the mounting hardware of the saw will run off-centre, causing loss of control.

Never use damaged or incorrect blade washers or bolt. The blade washers and bolt were specially designed for your saw, for optimum performance and safety of operation.

KICKBACK CAUSES AND RELATED WARNINGS

Kickback is a sudden reaction to a pinched, jammed or misaligned saw blade, causing an uncontrolled saw to lift up and out of the workpiece toward the operator.

When the blade is pinched or jammed tightly by the kerf closing down, the blade stalls and the motor reaction drives the unit rapidly back toward the operator.

If the blade becomes twisted or misaligned in the cut, the teeth at the back edge of the blade can dig into the top surface of the wood causing the blade to climb out of the kerf and jump back toward the operator.

Kickback is the result of saw misuse and/or incorrect operating procedures or conditions and can be avoided by taking proper precautions as given below:

Maintain a firm grip with both hands on the saw and position your arms to resist kickback forces. Position your body to either side of the blade, but not in line with the blade. Kickback could cause the saw to jump backwards, but kickback forces can be controlled by the operator, if proper precautions are taken.

When blade is binding, or when interrupting a cut for any reason, release the trigger and hold the saw motionless in the material until the blade comes to a complete stop. Never attempt to remove the saw from the work or pull the saw backward while the blade is in motion or kickback may occur.

Investigate and take corrective actions to eliminate the cause of blade binding.

When restarting a saw in the workpiece, centre the saw blade in the kerf so that the saw teeth are not engaged into the material. If a saw blade binds, it may walk up or kickback from the workpiece as the saw is restarted.

Support large panels to minimise the risk of blade pinching and kickback. Large panels tend to sag under their own weight. Supports must be placed under the panel on both sides, near the line of cut and near the edge of the panel.

Do not use dull or damaged blades. Unsharpened or improperly set blades produce narrow kerf causing excessive friction, blade binding and kickback.

Blade depth and bevel adjusting locking levers must be tight and secure before making the cut. If blade adjustment shifts while cutting, it may cause binding and kickback.

Use extra caution when sawing into existing walls or other blind areas. The protruding blade may cut objects that can cause kickback.

LOWER GUARD FUNCTION

Check the lower guard for proper closing before each use. Do not operate the saw if the lower guard does not move freely and close instantly. Never clamp or tie the lower guard into the open position. If the saw is accidentally dropped, the lower guard may be bent. Raise the lower guard with the retracting handle and make sure it moves freely and does not touch the blade or any other part, in all angles and depths of cut.

Check the operation of the lower guard spring. If the guard and the spring are not operating properly, they must be serviced before use. Lower guard may operate sluggishly due to damaged parts, gummy deposits, or a build-up of debris.

The lower guard may be retracted manually only for special cuts such as "plunge cuts" and "compound cuts". Raise the lower guard by the retracting handle and as soon as the blade enters the material, the lower guard must be released. For all other sawing, the lower guard should operate automatically.

Always observe that the lower guard is covering the blade before placing the saw down on bench or floor. An unprotected, coasting blade will cause the saw to walk backwards, cutting whatever is in its path. Be aware of the time it takes for the blade to stop after the switch is released.

ADDITIONAL SAFETY AND WORKING INSTRUCTIONS

Use personal protective equipment. Always wear eye protection. Protective equipment such as a dust mask, non-skid safety shoes, hard hat, or hearing protection used for appropriate conditions will reduce personal injuries.

The dust produced when using the product may be harmful to health. Do not inhale the dust. Use a dust absorption system and wear a suitable dust protection mask. Remove deposited dust thoroughly, e.g., with a dust extractor.

The rated speed of the accessory must be at least equal to the maximum speed marked on the power tool. Accessories running faster than their rated speed can break and fly apart.

It is necessary to select a saw blade which is suitable for the material being cut.

Use only woodworking blades specified in this manual, which comply with EN 847-1.

Do not use saw blades not corresponding to the key data given in these instructions for use.

Do not use abrasion discs with the product.

Remove the battery pack before starting any work on the product.

The guard must be attached properly during use. Do not operate the product without the guard in place. Operating the product without the guard will cause serious injury.

If the saw blade cover is cracked or broken, have it replaced immediately by an authorised specialist workshop. Do not operate the product if the saw blade cover is defective or missing.

Clamp the workpiece with a clamping device. Unclamped workpieces can cause severe injury and damage.

Do not fix the on/off switch in the on position when using the product hand-held.

Adapt the feed speed to avoid overheating the blade tips and to avoid melting the workpiece when cutting plastic.

⚠ WARNING! Never operate the product when the chip container and guards are not installed. Serious injury may occur. To reduce the risk of injury, wear safety goggles or glasses with side shields when removing the chip container. Chips and debris may fly up to your face.

SPECIFIED CONDITIONS OF USE

The cordless circular saw can cut lengthways and mitre accurately in wood.

Do not use the product for any other purpose.

RESIDUAL RISK

Even when the product is used as prescribed, it is still impossible to completely eliminate certain residual risk factors. The following hazards may arise during use, and the operator should pay special attention to avoid:

- injury caused by contact with the blade
 - The blades are very sharp and will become hot during use. Wear gloves when changing blades. Keep hands away from the cutting area at all times. Never hold the workpiece being cut in your hands or across your leg. Clamp the workpiece whenever possible.
- injury caused by vibration
 - Hold the product by designated handles and restrict working time and exposure.
- hearing injury caused by exposure to noise
 - Wear ear protection and limit exposure.
- injury due to flying debris
 - Wear eye protection, heavy long trousers, gloves, and substantial footwear at all times.
- health hazards caused by inhalation of toxic dusts
 - Wear a suitable dust protection mask.

BATTERY SAFETY INSTRUCTIONS

USE OF LI-ION BATTERIES

Do not dispose of used battery packs in the household refuse or by burning them. MILWAUKEE distributors offer to retrieve old batteries to protect our environment.

Do not store the battery pack together with metal objects (short circuit risk).

Use only M18 System chargers for charging M18 System battery packs. Do not use battery packs from other systems.

Never break open battery packs and chargers, and store them only in dry rooms. Keep the battery packs and chargers dry at all times.

Battery acid may leak from damaged batteries under extreme load or extreme temperatures. In case of contact with battery acid, wash it off immediately with soap and water. In case of eye contact, rinse thoroughly for at least 10 minutes and immediately seek medical attention.

No metal parts must be allowed to enter the battery section of the charger (short circuit risk).

Battery packs that have not been used for some time should be recharged before use.

Temperatures in excess of 50 °C (122 °F) reduce the performance of the battery pack. Avoid extended exposure to heat or sunshine (risk of overheating).

The contacts of chargers and battery packs must be kept clean.

For an optimum lifetime, the battery packs have to be fully charged after use.

⚠ WARNING! To reduce the risk of fire, personal injury, and product damage due to a short circuit, never immerse the product, battery pack, or charger in fluid or allow fluid to flow inside them. Corrosive or conductive fluids, such as seawater, certain industrial chemicals, and bleach or bleach-containing products, etc., can cause a short circuit.

To obtain the longest possible battery life, remove the battery pack from the charger once it is fully charged.

For battery pack storage longer than 30 days:

- Store the battery pack where the temperature is below 27 °C and away from moisture.
- Store the battery packs in a 30%–50% charged condition.
- Every six months of storage, charge the battery pack as normal.

BATTERY PROTECTION FOR LI-ION BATTERIES

In extremely high torque, binding, stalling, and short circuit situations that cause high current draw, the product vibrates for about 5 seconds, the fuel gauge flashes, and then the product turns off. To reset, release the trigger.

Under extreme circumstances, the internal temperature of the battery pack could rise too much. If this happens, the fuel gauge flashes until the battery pack cools down. After the lights go off, continue working.

TRANSPORT OF LI-ION BATTERIES

Lithium-ion batteries are subject to the Dangerous Goods Legislation requirements.

Transportation of those batteries has to be done in accordance with local, national, and international provisions and regulations.

The user can transport the batteries by road without further requirements.

Commercial transport of lithium-ion batteries by third parties is subject to the Dangerous Goods regulations. Transport preparation and transport are exclusively to be carried out by appropriately trained persons and the process has to be accompanied by corresponding experts.

When transporting batteries:

- Ensure that the battery contact terminals are protected and insulated to prevent short circuit.
- Ensure that the battery pack is secured against movement within packaging.
- Do not transport batteries that are cracked or leaking.
- Check with the forwarding company for further advice.

ELECTRIC BRAKE

The electric brake engages when the switch trigger is released, causing the blade to stop and allowing you to continue working. Generally, the saw blade stops within 2 seconds. However, there may be a delay between the time the switch trigger is released and when the brake engages. Occasionally, the brake may miss completely. If the brake misses frequently, the product needs servicing by an authorised MILWAUKEE service centre.

Always wait for the blade to stop completely before removing the product from the workpiece.

MAINTENANCE

Be sure to remove the battery pack from the product before attaching or removing the saw blade.

Clean the product and guarding system with a dry cloth. Certain cleaning agents and solvents are harmful to plastics and other insulated parts. Keep the product handle clean, dry, and free of spilt oil or grease. Check the function of guards. Regular maintenance and cleaning provide for a long service life and safe handling.

Keep the ventilation slots of the product clear at all times.

Remove dust regularly. Remove the sawdust that has accumulated inside the product to avoid the risk of fire.

Keep the blade guard area free of accumulated sawdust and debris. The product may operate sluggishly due to a build-up of debris, which could result in possible serious injury. Wear appropriate personal protective equipment while clearing out the blade guard area using compressed air.

Use only MILWAUKEE accessories and spare parts. Should components that have not been described need to be replaced, contact one of our MILWAUKEE service agents (see our list of guarantee/service addresses).

If needed, an exploded view of the product can be ordered. State the product type and the serial number on the label, and order the drawing at your local service centres.

SYMBOLS



Read the instructions carefully before starting the product.



CAUTION! WARNING! DANGER!



Remove the battery pack before starting any work on the product.



Do not use force.



Always wear goggles when using the product.



Wear ear protectors.



Wear a suitable dust protection mask.



Wear gloves.



Rotation direction



Accessory - Not included in standard equipment, available as an accessory.

n_0

No-load speed

V

Voltage



Direct current



Do not dispose of waste batteries, waste electrical and electronic equipment as unsorted municipal waste. Waste batteries and waste electrical and electronic equipment must be collected separately. Waste batteries, waste accumulators, and light sources have to be removed from the equipment. Check with your local authority or retailer for recycling advice and collection point. According to local regulations, retailers may have an obligation to take back waste batteries and waste electrical and electronic equipment free of charge. Your contribution to the reuse and recycling of waste batteries and waste electrical and electronic equipment helps to reduce the demand of raw materials. Waste batteries, in particular containing lithium, and waste electrical and electronic equipment contain valuable and recyclable materials, which can adversely impact the environment and the human health if not disposed of in an environmentally compatible manner. Delete personal data from waste equipment, if any.

技術數據	M18 FCS66GR3
類型	圓鋸
電池電壓	18 V \equiv
無負載轉速	6000 min^{-1}
鋸片直徑 \times 孔徑	190 mm \times 25.4/20 mm
鋸片厚度—板子/鋸縫	1.2 mm / 1.8 mm
鋸齒	24
斜角刻度	0° - 50°
0° / 45° 時的最大切削深度	68 mm / 53 mm
重量符合 EPTA 程序 01/2014 (鋰離子電池 2.0 Ah - 12.0 Ah)	4.2 kg - 5.7 kg
建議操作環境溫度	-18 - +50 °C
建議電池類型	M18B..., M18 HB..., M18 FB...
建議充電器	M12-18..., M18 DFC, M18 PC6, M18 DBSC
噪聲資訊	
噪聲釋放值根據 EN 62841 確定。	
A加權聲壓量	100.7 dB(A)
不確定性的測量 K	3 dB(A)
A加權功率級	108.7 dB(A)
不確定性的測量 K	3 dB(A)
務必佩戴護耳器。	
振動資訊	
根據 EN 62841 所測的振動總值 (三軸向量總和)。	
振動釋放值 a_h / 不確定性的測量 K	
木材鋸切	2.58 m/s^2
不確定性的測量 K	1.50 m/s^2
金屬切割	2.41 m/s^2
不確定性的測量 K	1.50 m/s^2

警告!

本說明書所提供的聲明的振動總值和噪聲釋放值是依標準化測試所測得，且可能用於與另一個工具進行比較。此等級可用來初步評估暴露情況。

聲明的振動和噪聲釋放值代表的是本工具的主要應用。然而，如果用於不同的應用、使用不同的配件或保養不當，振動釋放也可能不同。這些情況可能會在總工作時間上顯著增加風險等級。

評估振動和噪聲暴露的等級還應考慮本工具關機時的時間，或當工具運轉但卻未實際使用的時間。這些情況可能會明顯降低總工作期間的暴露等級。

請確認額外的安全措施，以保護使用者不受振動和噪聲的影響，例如：保養工具與配件、保持手部溫暖和井然有序的工作方式。

警告！請閱讀本電動工具隨附的所有安全警告、說明、插圖和規格。不遵循這些警告和說明會導致觸電、火災和/或嚴重傷害。

將所有警告和說明保存好，方便以後查閱。

圓鋸安全警告

切割程序

危險！保持雙手遠離切割區域及鋸片。將您另一只手放在輔助把手或電機外殼上。如果雙手握住電圓鋸，便不會被鋸片切割。

切勿將手伸到工件下方。在工件的下方，無法受到鋸片保護罩的保護，有觸及鋸片的危險。

根據工件的厚度調整切割深度。深度不得超過工件下方一個鋸齒的長度。

切割時，切勿將工件握在手中或在腿上進行切割。在一個穩定的平台上固定工件。正確地支撐工件是十分重要，有助於減少身體暴露、鋸片卡住或者失控。

當作業時切割配件可能接觸隱藏電線時，只能握住電動工具的絕緣握持面。接觸通電的電線將會令電動工具外露的金屬部份通電，並使操作員觸電。

當撕出時，務必使用籬色或直邊導軌。此有助於提高了切割的精確度，並降低了鋸片卡住的機會。

務必使用配有正確尺寸及形狀（鑽石形對圓形）桿孔的鋸片。安裝了與電圓鋸安裝硬件不配的鋸片將會偏離中心，並會導致失控。

切勿使用損壞或不正確的鋸片墊圈或螺栓。鋸片墊圈和螺栓專門為您的電圓鋸設計，以獲得最佳性能和操作安全性。

反彈原因和相關警告

反彈是鋸片收縮、卡住或無對準的鋸片所產生的反作用力，導致失控的電圓鋸抬起以及偏離工件，並飛向操作者。

當鋸片受壓縮或卡滯在鋸痕上，鋸片會停止，及電機的反作用力驅使工具迅速地 toward 操作者反彈。

如果鋸片在切割中變得扭曲或錯位，則鋸片後的齒緣可能刺入木材的頂面，導致鋸片脫離，並且向操作者反彈。

回彈因濫用電圓鋸及/或錯誤的操作程序或環境而致，可透過以下適當的預防措施避免：

回彈因濫用電圓鋸及/或錯誤的操作程序或環境而致，可透過以下適當的預防措施避免。以雙手握緊電圓鋸，調整手臂位置以抵抗反彈的阻力。身體可以處於鋸片的任何一方，但不能跟鋸片形成一直線。

當鋸片卡滯時，或因任何原因打斷切割時，請釋放觸發器並使電圓鋸在材料中保持不動，直到鋸片完全停止。切勿嘗試工作中移走電圓鋸；或當鋸片運作中，將電圓鋸拉向後；否則可能發生反彈。調查並採取修正措施，以避免刀片卡住。

在工件中重新啟動電圓鋸，在切口的中間放置鋸片，使鋸齒跟物料不會接合。如果鋸片被綁住，當電圓鋸重啟時，鋸片可能從工件中滑動或反彈。

支持大面板，以最大程度地減少鋸片夾傷和反彈的風險。大面板會因自身的重量而下垂。支撐件必須置於大面板下面的兩側，接近切割線及面板邊緣。

不要使用鈍的或損壞的鋸片。鈍的鋸片或不正確地設置鋸片會產生狹窄的切口，導致過度摩擦、鋸片卡滯及反彈。

切割前，必須要擰緊鋸片深度鎖定桿及斜調整鎖定桿。如果鋸片在切割時偏移，則可能導致卡滯及反彈。

當在現有的牆壁或其他隱蔽的區域進行鋸切時必須格外小心。突出的鋸片可能會切割有可能導致反彈的物體。

下護罩功能

每次使用前請檢查下護蓋是否正確地關閉。如果下護蓋不能夠自由地移動及立刻關閉，切勿操作電圓鋸。切勿將下護蓋夾緊或扭緊到關閉位。如果電圓鋸意外地掉落，下護蓋可能會彎曲。使用縮回把手升起下護罩，並確保它可以在所有切割的角度及深度自由地移動，並不會接觸到鋸片或其他部件。

檢查下護罩彈簧的操作。如果防護罩及彈簧不能正常地運作，必須在使用前進行維修。下護罩可能因損壞的部件、膠質沉積物或積聚的碎片而操作緩慢。

在「切入式切割」及「複合式切割」等特殊切割操作時，下護罩可能自行縮回。使用縮回把手以提升下護罩，一旦鋸片進入物料時，必須釋放下護罩。至於其他鋸切，下防護裝置應自動運作。

在工作桌或地板前放置電圓鋸，務必觀察下護罩是否遮蓋鋸片。無保護、滑行的鋸片將導致電圓鋸後溜，並且切割在路徑上的所有東西。注意關閉釋放後，鋸片停止所需的時間。

其他安全和工作說明

使用個人防護裝備。務必佩戴護目鏡。建議穿戴防護裝備，例如防塵口罩、防滑安全鞋、安全帽或聽力保護用於適當的條件，可減少人身傷害。

使用此工具時，產生的粉塵可能對健康有害。切勿吸入粉塵。使用吸塵系統，並要戴上合適的防塵口罩。徹底清除沉積的粉塵（如使用吸塵器）。

配件的額定速度必須至少等於電動工具上標記的最大速度。運行速度超過額定速度的配件可能會斷裂並飛散。

選擇適合切割材料的鋸片是非常重要的。

僅使用本說明書中述說符合EN 847-1標準的木工鋸片。

請勿使用與說明書中所列參數不符的鋸片。

請勿在工具中使用磨損盤。

對產品進行任何工作前，先移除電池組。

使用時必須正確安裝防護罩。請勿在未安裝防護裝置的情況下操作工具。在沒有防護裝置的情況下操作工具會導致嚴重傷害。

如果鋸片蓋破裂或破損，請立即由授權的專業維修中心更換。如果鋸片蓋有缺陷或遺失，請勿操作此工具。

使用夾緊裝置固定好工件。未夾緊的工件可能會導致嚴重傷害和損傷。

當手持產品時，請勿將開關固定在「開(on)」位置。

適應進給速度，以避免鋸片尖端過熱；以及切割塑膠時，避免刀尖過熱，以防止工件熔化。

警告！在未安裝切屑容器和防護裝置時，切勿操作工具。可能會發生嚴重傷害。為了降低受傷風險，請在取出切屑容器時，務必佩戴安全護目鏡或帶側護罩的眼鏡。碎屑和碎片可能會飛到臉上。

特定使用條件

本電圓鋸能縱向切割及斜切木材。

請勿將本工具用於任何其他目的。

殘餘風險

即便已按規定使用工具，仍然不可能完全消除某些殘留的風險因素。使用時可能會出現以下危險，使用者應特別注意以下事項：

- 因接觸刀片導致的傷害
 - 鋸片非常鋒利，並且在使用過程中會變熱。更換鋸片時請戴手套。務必保持雙手遠離切割區域。切割時，切勿將工件握在手中或在腿上進行切割。以夾具固定工件。
- 振動引起的損傷
 - 握住工具指定的把手，並限制工作時間的長短及暴露風險。
- 因接觸噪聲導致聽力傷害
 - 佩戴耳罩和限制暴露於噪音中。
- 因飛濺的碎片而受傷
 - 時刻佩戴護目鏡、厚的長褲、手套及堅實的鞋子。
- 因吸入有毒的粉塵所導致的健康危害
 - 戴上適當的防塵罩。

電池組安全說明

使用鋰離子電池組

請勿將用過的電池組與家庭廢棄物混合或燃燒電池組。MILWAUKEE 提供舊電池組回收服務，以保護我們的環境。

請勿將電池組與其他金屬物品一起存放（可能引起短路風險）。

僅可使用 M18 系統充電器對 M18 系統電池組進行充電。請勿使用其他系統的電池組。

請勿拆開電池組和充電器。電池組和充電器必須儲藏在乾燥的空間，勿讓濕氣滲入。必須經常保持乾燥。

在極端負載或極端溫度下，損壞的電池組可能漏出內部酸液。若碰觸到電池組酸液，請即刻用肥皂與清水沖洗乾淨。若酸液接觸到眼睛，以清水徹底沖洗至少10分鐘後立即就醫。

切勿讓金屬部份接觸充電器的電池組部份（可能引起短路風險）。

久未使用的電池組必須重新充電後再使用。

超過50 °C的高溫會降低電池組的效能。避免長時間暴露於高溫或陽光下(可能導致過熱風險)。

充電器和電池組的接觸點處應保持清潔。

為確保最佳電池組使用壽命，電池組使用後應再完全充電。

⚠ 警告！ 為了減少因短路而導致火災、人身傷害和本工具損壞的風險，請勿將工具、電池組或充電器浸沒在液體中或使液體流入其中。腐蝕性或導電性液體（如海水、某些工業化學品、以及漂白劑或含漂白劑的產品等）都會導致短路。

為確保電池組的最長壽命，充電完成後，請勿將電池組繼續留在充電器上。

電池組儲存時間長於30日：

- 將電池組存放於溫度低於27 °C的環境，且避免受潮。
- 將電池組保持在充電量 30% - 50% 的狀態。
- 每存放六個月，請按正常方式對電池組充電。

鋰離子電池組的電池保護

因一些諸如極高的扭力、卡住、突然停機和線路短路發生的情況下，會導致高電流消耗，本工具將振動約5秒，電量計閃爍，然後本工具將停止及關閉。如要重置，鬆開扳機。

在極端情況下，電池組內部的溫度可能變得太高。如果發生這種情況，電量計會閃爍直至電池組冷卻下來。燈熄滅後，可以繼續工作。

鋰離子電池組的運輸

鋰離子電池組須受制於危險品法例的要求。

運送鋰電池組必須在符合當地、國家及國際標準及法例的情況下進行。

使用者可於陸地上運送電池而毋須受限。

第三方負責的商業式鋰電池組運送須受制於危險品法例。運送的預備及過程必須由受專業訓練的人士進行，亦必須得到專家在場監管。

運送電池組時：

- 請確保電池組接觸端子受到嚴密保護及經過絕緣，防止短路。
- 請確保電池組妥善包裝，防止碰撞磨擦；
- 切勿運送已有裂痕或已有洩漏的電池組。
- 建議與速遞公司緊密聯繫以獲得進一步資訊。

電動制動器

鬆開開關觸發器後，電動制動器就會接合，導致鋸片停止並允許您繼續工作。一般情況下，鋸片在2秒內停止。然而，釋放開關觸發器的時間和接合制動器的時間之間可能有延遲。有時，制動器可能會完全失靈。如果制動器經常失靈，則工具需要由 MILWAUKEE 授權服務中心進行維修。

在從工件上取下鋸片之前，必須先等待鋸片完全停止。

維修

安裝或拆卸鋸片前，請務必斷開工具的電源連接。

以乾布清潔工具及防護系統。某些清潔劑和溶劑對塑料和其他絕緣部份有損害。保持把手清潔、乾燥、無油或油脂。檢查保護罩的功能。定期維修及清潔能夠使長的工具壽命及安全的處理。

本產品的通風孔必須時刻保持暢通。

定期清除灰塵。清除積聚在電園鋸裡面的鋸屑，以免發生火災。

保持鋸片防護罩區域沒有積聚的鋸末和碎屑。由於碎屑堆積，鋸子可能運行緩慢，可能導致嚴重傷害。使用壓縮空氣清理鋸片防護區域時，需要穿戴適當的個人保護設備。

只能使用 MILWAUKEE 的配件和備件。如果需要更換的組件在此沒有介紹，請與其中一個 MILWAUKEE 服務代理機構聯繫（參見我們的維修/服務地址列表）。

如果需要，可以訂閱本工具的分解圖。諮詢圖件時，請您向當地的顧客服務中心提供以下資料：銘牌上的工具類型和序列號。

符號



啟動工具前，請仔細閱讀本說明。



注意！警告！危險！



對產品進行任何工作前，先移除電池組。



不要強行用力。



使用本工具時務必佩戴護目鏡。



佩戴防護耳罩。



戴上適當的防塵罩。



佩戴手套。



旋轉方向



配件—不包在標配設備中，可作為配件供應。

n_0

無負載轉速

V

電壓



直流電



請勿將廢電池組、廢電器、廢電子設備等廢棄物作為未分類城市廢棄物進行處理。必須分開回收廢電池組、廢電器及廢電子設備。廢鋰電池組、廢電池組和燈源必須從設備上拆下。請與當地相關部門或經銷商聯繫，了解回收建議和收集地點。根據地區規定，零售商有義務免費回收廢電池組、廢電器和廢電子設備。您對重用及回收廢電池組、廢電器及廢電子設備作出貢獻，有助於減少原料需求。廢電池組，特別是含有鋰和含有可回收利用的有價值物質的廢電器、廢電子設備，如果不以與環境兼容的方式廢棄，可能會對環境和人類健康產生不良影響。如果廢電子設備中有任何個人數據，請在棄置前刪除。

技术数据	M18 FCS66GR3
类型	电动圆锯
电池电压	18 V ---
无负载转速	6000 min^{-1}
锯片直径 \times 孔径	190 mm \times 25.4/20 mm
锯片厚度—板子/锯缝	1.2 mm / 1.8 mm
锯齿	24
斜角刻度	0° - 50°
0° /45° 时的最大切削深度	68 mm / 53 mm
重量符合 EPTA 程序 01/2014 (锂离子电池 2.0 Ah - 12.0 Ah)	4.2 kg - 5.7 kg
建议操作环境温度	-18 - +50 °C
建议电池类型	M18B..., M18 HB..., M18 FB...
建议充电器	M12-18..., M18 DFC, M18 PC6, M18 DBSC
噪声信息	
噪声释放值根据 EN 62841 确定。	
A-值音压值	100.7 dB(A)
不确定性的测量 K	3 dB(A)
A-值声功率值	108.7 dB(A)
不确定性的测量 K	3 dB(A)
务必佩戴防护耳罩。	
振动信息	
依欧盟EN 62841 标准确定的振动总值（三方向矢量和）。	
振动值 a_h / 不确定性的测量 K	
木材锯切	2.58 m/s^2
不确定性的测量 K	1.50 m/s^2
金属切割	2.41 m/s^2
不确定性的测量 K	1.50 m/s^2

警告！

本说明书所提供的声明的振动总值和噪声释放值是依标准化测试所测得，且可能用于与另一个工具进行比较。此等级可用来初步评估暴露情况。

声明的振动和噪声释放值代表的是本工具的主要应用。然而，如果用于不同的应用、使用不同的配件或保养不当，振动和噪音释放值也可能不同。这些情况可能会在总工作时间内显著增加风险等级。

评估振动和噪声暴露的等级还应考虑本工具关机时的时间，或当工具运转但却未实际使用的时间。这些情况可能会明显降低总工作期间的暴露等级。

请确认额外的安全措施，以保护使用者不受振动和噪声的影响，例如：保养产品与配件、保持手部温暖和井然有序的工作方式。

⚠ 警告！请阅读本电动工具随附的所有安全警告、说明、插图和规格。不遵循这些警告和说明会导致触电、火灾和/或严重伤害。

保存好所有警告和说明书以备查阅。

电圆锯安全警告

切割程序

⚠ 危险！保持双手远离切割区域及锯片。将您另一只手放在辅助把手或电机外壳上。如果双手握住电圆锯，便不会被锯片切割。

切勿将手伸到工件下方。在工件的下方，无法受到锯片保护罩的保护，有触及锯片的危险。

根据工件的厚度调整切割深度。深度不得超过工件下方一个锯齿的长度。

切割时，切勿将工件握在手中或在腿上进行切割。在一个稳定的平台上固定工件。正确地支撑工件是十分重要，有助减少身体暴露、锯片卡住或者失控。

当作业时切割附件可能接触隐藏电线时，只能握住电动工具的绝缘握持面。接触通电的电线将会令电动工具外露的金属部份通电，并使操作员触电。

当撕出时，务必使用篱笆或直边导轨。此有助提高了切割的精确度，并降低了锯片卡住的机会。

务必使用配有正确尺寸及形状（钻石形对圆形）杆孔的锯片。安装了与电圆锯安装硬件不配的锯片将会偏离中心，并会导致失控。

切勿使用损坏或不正确的锯片垫圈或螺栓。锯片垫圈和螺栓专门为您的电圆锯设计，以获得最佳性能和操作安全性。

反弹原因和相关警告

反弹是锯片收缩、卡住或无对准的锯片所产生的反作用力，导致失控的电圆锯抬起以及脱离工件，并飞向操作者。

当锯片受压缩或卡滞在锯痕上，锯片会停止，及电机的反作用力驱使工具迅速地 toward 操作者反弹。

如果锯片在切割中变得扭曲或错位，则锯片后的齿缘可能刺入木材的顶部，导致锯片脱离，并且向操作者反弹。

回弹因滥用电圆锯及/或错误的操作程序或环境所致，可透过以下适当的预防措施避免：

以双手握紧电圆锯，调整手臂位置以抵抗反弹的阻力。身体可以处于锯片的任何一方，但不能跟锯片形成一直线。反弹可导致锯片向后跳出。但如果采取适当的预防措施，则可由操作者控制反弹力。

当锯片卡滞时，或因任何原因打断切割时，请释放触发器并使电圆锯在材料中保持不动，直到锯片完全停止。切勿尝试工作中移走电圆锯；或当锯片运作中，将电圆锯控向后；否则则可能发生反弹。调查并采取纠正措施，以避免刀片卡住。

在工件中重新启动电圆锯，在切口的中间放置锯片，使锯齿跟物料不会接合。如果锯片被绑住，当电圆锯重启时，锯片可能从工件中滑动或反弹。

支持大面板，以最大程度地减少锯片夹伤和反弹的风险。大面板会因自身的重量而下垂。支撑件必须置于大面板下面的两侧，接近切割线及面板边缘。

不要使用钝的或损坏的锯片。钝的锯片或不正确地设置锯片会产生狭窄的切口，导致过度摩擦、锯片卡滞及反弹。

切割前，锯片深度锁定杆及斜调整锁定杆必须要拧紧。如果锯片在切割时偏移，则可能导致卡滞及反弹。

当在现有的墙壁或其他隐蔽的区域进行锯切时必须格外小心。突出的锯片可能会切割有可能导致反弹的物体。

下护罩功能

每次使用前请检查下护盖是否正确关闭。如果下护盖不能够自由地移动及立刻关闭，切勿操作电圆锯。切勿将下护盖夹紧或捆扎到开闭位。如果电圆锯意外地掉落，下护盖可能会弯曲。使用缩回把手升起下护罩，并确保它可以在所有切割的角度及深度自由地移动，并不会接触到锯片或其他部件。

检查下护罩弹簧的操作。如果防护罩及弹簧不能正常地运作，必须在使用前进行维修。下护罩可能因损坏的部件，胶质沉积物或积聚的碎片而操作缓慢。

在「切入式切割」及「复合式切割」等特殊切割操作时，下护罩可能自行缩回。使用缩回把手以提升下护罩，一旦锯片进入物料时，必须释放下护罩。至于其他锯切，下防护装置应自动运作。

在将电圆锯放在工作桌或地板前，务必观察下护罩是否遮盖锯片。无保护、滑行的锯片将导致电圆锯后溜，并且切割在路径上的所有东西。注意开关释放后，锯片停止所需的时间。

其他安全和工作说明

使用个人防护装备。务必佩戴护目镜。建议穿戴防护装备，例如防尘口罩、防滑安全鞋、安全帽或听力保护用于适当的条件，可减少人身伤害。

使用此工具时，产生的粉尘可能会影响健康。切勿吸入粉尘。使用吸尘系统，并要戴上合适的防尘口罩。彻底清除沉积的粉尘（如使用吸尘器）。

配件的额定速度必须至少等于电动工具上标记的最大速度。运行速度超过额定速度的配件可能会断裂并飞散。

选择适合切割材料的锯片是非常重要的。

仅使用本说明书中所述符合 EN 847-1 标准的木工锯片。

不要使用不符合本使用说明所规定之关键数据的锯条。

请勿在工具中使用磨盘。

在开始任何工作之前，请先取出电池。

使用时必须正确安装防护罩。请勿在未安装防护装置的情况下操作工具。在没有防护装置的情况下操作工具会导致严重伤害。

如果锯片盖破裂或破损，请立即由授权的专业维修中心更换。如果锯片盖有缺陷或遗失，请勿操作此工具。

使用夹紧固装置固定好工件。未夹紧的工件可能会导致严重伤害和损伤。

当手持产品时，请勿将开关固定在「开(on)」位置。

适应进给速度，以避免锯片尖端过热；以及切割塑胶时，避免刀尖过热，以防止工件熔化。

⚠ 警告！在未安装切屑容器和防护装置时，切勿操作工具。可能会发生严重伤害。为了降低受伤风险，请在取出切屑容器时，务必佩戴安全护目镜或带侧护罩的眼镜。碎屑和碎片可能会飞到脸上。

特定使用条件

本电圆锯能纵向切割及斜切割木材。

请勿将本工具用于任何其他目的。

残余风险

即使工具按规定使用，依然无法完全消除某些残余风险因素。使用过程中可能出现以下危险，操作者应注意避免：

- 因接触刀片导致的伤害
 - 锯片非常锋利，并且在使用过程中会变热。更换锯片时请戴手套。务必保持双手远离切割区域。切割时，切勿将工件握在手中或在腿上进行切割。以夹具固定工件。
- 振动引起的损伤
 - 握住工具指定的把手，并限制工作时间和暴露风险。
- 因接触噪声导致听力伤害
 - 戴耳罩和限制暴露于噪音中。
- 因飞溅的碎片而受伤
 - 时刻佩戴护目镜、厚的长裤、手套及坚实的鞋子。
- 吸入有毒的粉尘而导致的健康危险
 - 戴上适当的防尘罩。

电池组安全说明

使用锂离子电池组

用过的电池组不可以丢入火中或一般的家庭垃圾中。美沃奇提供旧电池组回收，以保护我们的环境。

电池组不可以和金属物体存放在一起（可能产生短路）。

M18 系列的电池组只能和 M18 系列的充电器配合使用。不可以使用其他系列的电池组。

不可拆开电池组和充电器。电池组和充电器必须储藏在干燥的空间，勿让湿气渗入。必须经常保持干燥。

在过度超荷或极端的温度下，可能从损坏的电池组中流出液体。如果触摸了此液体，必须马上使用肥皂和大量清水冲洗。如果此类流体侵入眼睛，马上用清水彻底清洗眼睛（冲洗至少10分钟），接着即刻就医治疗。

切勿让金属部分接触充电器的电池组部份（有短路风险）。

长期存放的电池组必须先充电再使用。

超过50 °C 的高温会降低电池组的效能。避免暴露于高温或阳光下（可能导致过热）。

充电器和电池组的接触点处应保持清洁。

为获得最长寿命，使用后应把电池组充满电。

警告！ 为了减少因短路而导致火灾、人身伤害和工具损坏的风险，请勿将工具、电池组或充电器浸没在流体中或使流体流入其中。腐蚀性或导电性流体（如海水、某些工业化学品、以及漂白剂或含漂白剂的产品等）都会导致短路。

为确保最长使用寿命，充电后应把电池组从充电器中取出。

电池组储藏时间大于30天的存放要求：

- 将电池组存放于温度低于 27 °C 的环境，且避免受潮；
- 将电池组保持在充电量 30% - 50% 的状态。
- 每存放六个月，请按正常方式对电池组充电。

锂离子电池组的电池保护

因一些诸如极高的扭力、外物附着、突然停机和线路短路发生的情况下，会导致高电流消耗。此等情况下，工具将振动约5秒，电量计灯闪烁，然后工具将停止及关闭。如要重置，松开扳机。

在极端情况下，电池组的内部温度可能会变高。如果发生这种情况，电量计会闪烁直至电池组冷却下来。灯熄灭后，可以继续工作。

锂离子电池组的运输

锂电池组属于危险货品并受制于危险货品运输条例。

此电池组的运输必须遵守地方、国家和国际法律规定。

使用者可于陆地上运送电池而毋须受限。

锂电池组的商业性运输受制于危险货品运输条例的规定。运输准备和运输必须由受过专业培训的人员进行。全程必须由专业人员监督。

运输电池组时必须注意到下列事项：

- 为避免短路，必须确保电池组接点的防护和绝缘。
- 确保包装中的电池组包不会滑动；
- 严禁运输已损坏或已产生泄漏的电池组。
- 更多运输建议请联系运输公司。

电动制动器

松开开关触发器后，电动制动器就会接合，导致锯片停止并允许您继续工作。一般情况下，锯片在2秒内停止。然而，释放开关触发器的时间和接合制动器的时间之间可能有延迟。有时，制动器可能会完全失灵。如果制动器经常失灵，则工具需要由美沃奇服务中心进行维修。

在从工件上取下锯片之前，必须先等待锯片完全停止。

维修

安装或拆卸锯片前，请务必断开工具的电源连接。

以干布清洁工具及防护系统。某些清洁剂和溶剂对塑料和其他绝缘部件有损害。保持把手清洁、干燥、无油或油脂。检查保护罩的功能。定期维修及清洁能够使长的工具寿命及安全性的处理。

本产品的通风孔必须时刻保持畅通。

定期清除灰尘。清除积聚在电圆锯里面的锯屑，以免发生火灾。

保持锯片防护罩区域没有积聚的锯末和碎屑。由于碎屑堆积，锯子可能运行缓慢，可能导致严重伤害。使用压缩空气清理锯片防护区域时，需要穿戴适当的个人防护设备。

只能使用美沃奇的附件和备件。如果需要更换未描述的组件，请联系我们的美沃奇服务代理（请参阅我们的认可/维修的地址列表）。

如果需要，可以索取工具的分解图。在标签上注明工具类型和序列号，然后在当地服务中心订购图纸。

符号



启动产品前，请仔细阅读本说明书。



注意！警告！危险！



在开始任何工作之前，请先取出电池。



不要强行用力。



使用本产品时务必佩戴护目镜。



佩戴防护耳罩。



戴上适当的防尘罩。



佩戴手套。



旋转方向



附件—不包在标配设备中，可作为附件供应。

n_0

无负载转速

V

电压



直流电



请勿将废电池组、废电器、废电子设备等废弃物作为未分类城市废弃物进行处理。必须分开回收废电池组、废电器及废电子设备。废锂电池组、废电池组和灯源必须从设备上拆下。请与当地相关部门或经销商联系，了解回收建议和收集地点。根据地区规定，零售商有义务免费回收废电池组、废电器和废电子设备。您对重用及回收废电池组、废电器及废电子设备作出贡献，有助于减少原料需求。废电池组，特别是含有锂和含有可回收利用的有价值物质的废电器、废电子设备，如果不以与环境兼容的方式废弃，可能会对环境和人类健康产生不良影响。如果废电子设备中有任何个人数据，请在弃置前删除。

기술 데이터	M18 FCS66GR3
유형	무선 원형 톱
배터리 전압	18 V ---
무부하 속도	6000 min ⁻¹
톱날 직경 × 구멍 직경	190 mm × 25.4/20 mm
톱날 두께 - 판/거단(커팅)	1.2 mm / 1.8 mm
톱니	24
베벨 스케일	0° - 50°
0° / 45° 에서의 최대 절단 깊이	68 mm / 53 mm
EPTA 절차 01/2014(리튬-이온 2.0 Ah - 12.0 Ah)에 따른 무게	4.2 kg - 5.7 kg
권장 주변 작동 온도	-18 - +50 °C
권장 배터리 팩	M18B..., M18 HB..., M18 FB...
권장 충전기	M12-18..., M18 DFC, M18 PC6, M18 DBSC
소음 정보	
EN 62841에 따라 결정되는 소음 방출 값	
가중치 음압 레벨	100.7 dB(A)
불확정성 K	3 dB(A)
가중치 음향 파워 레벨	108.7 dB(A)
불확정성 K	3 dB(A)
항상 보안경을 착용하십시오.	
진동 정보	
EN 62841에 따라 판별한 전체 진동 값(3개 축의 벡터 합계).	
진동 방출 값 a _n / 불확정성 K	
목재류 톱질	2.58 m/s ²
불확정성 K	1.50 m/s ²
금속 톱질하기	2.41 m/s ²
불확정성 K	1.50 m/s ²

경고!

이 지침 설명서에 표시되어 있는 진동 총 수치와 소음 방출 수치는 표준화된 테스트에 따라 측정되었으며 공구끼리 서로 비교하는 데 사용할 수 있습니다. 노출도 예비 평가에도 사용될 수 있습니다.

표시된 진동 및 소음 방출 수치는 공구의 주 용도로 사용 시에 측정된 값을 나타냅니다. 하지만 공구를 다른 용도로 사용하거나, 다른 부속품과 함께 사용하거나, 부실하게 유지보수할 경우에는 진동 및 소음 방출 수준이 달라질 수 있습니다. 이러한 조건은 전체 작업 기간에 걸친 노출도를 상당히 높일 수 있습니다.

진동 및 소음 노출 수준을 추정할 때는 공구의 전원을 끄거나 공회전되는 시간을 고려해야 합니다. 이러한 조건은 전체 작업 기간에 걸친 노출도를 상당히 낮출 수 있습니다.

공구와 부속품의 유지, 손의 보온 상태 유지(진동의 경우), 작업 패턴 구성과 같이, 작업자를 진동 및 소음의 영향으로부터 보호하기 위한 추가 안전 대책을 파악하십시오.

⚠ 경고! 공구와 함께 제공된 제반 안전 경고, 사용 설명서, 그림 및 사양을 숙지하십시오. 아래의 지침을 따르지 않으면 전기 충격, 화재 및 중대한 부상을 초래할 수 있습니다.

모든 경고 및 지침서는 다음에 참조할 수 있도록 잘 보관해 두십시오.

원형 톱 안전 경고

절단 절차

⚠ 위험! 절단 부위와 날로부터 손을 멀리 두십시오. 한 손은 보조 핸들이나 모터 하우징을 잡으십시오. 두 손으로 톱을 잡으면 톱날로 인해 절단될 위험이 없습니다.

작업물 밑에 손을 넣지 마십시오. 보호대를 사용해도 작업을 아래의 톱날로부터 보호받지 못합니다.

절단 깊이를 작업물의 두께에 맞게 조정합니다. 톱날의 톱니 하나 이상이 작업을 아래로 보이지 않아야 합니다.

작업물을 손으로 잡거나 다리 사이에 두고 절단하지 마십시오. 작업물을 안정적인 플랫폼에 고정하십시오. 작업물을 적절히 지지하여 신체의 노출, 톱날 걸림 또는 제어력 손실 등의 위험을 최소화하는 것이 중요합니다.

작업 시 절단 공구가 숨겨진 배선에 닿을 수 있는 경우를 고려하여 전동 공구의 절연 손잡이를 잡으십시오. 전류가 흐르는 전선에 접촉할 경우 전동 공구의 노출 금속부가 "활전" 상태가 되면서 사용자가 감전될 수 있습니다.

커는 작업을 진행할 시 펜스 또는 직선형 오서리 가이드를 사용하십시오. 이렇게 하면 절단 정확도가 향상되며 톱날 걸림을 줄일 수 있습니다.

항상 아머 구멍 크기와 형태(다이아몬드 대 원형)가 정확한 톱날을 사용하십시오. 톱의 장착 하드웨어에 맞지 않는 톱날은 중심을 벗어나 작동하며 제어력을 상실하게 됩니다.

손상되었거나 잘못된 톱날 와서 또는 볼트는 사용하지 마십시오. 블레이드 와서와 볼트는 톱의 최적화된 성능과 안전한 작동을 제공하도록 특별히 설계됩니다.

기계 반동의 원인 및 관련 경고

기계 반동이란 톱날이 끼이거나 걸리거나 정렬이 어긋날 경우 갑작스러운 반동으로 톱이 작업물에서 분리되어 작업자 방향으로 튀어 오르는 현상을 의미합니다.

거단부(커프)에 톱날이 깊이 물리거나 걸릴 경우, 톱날은 정지하게 되며 모든 반동에 의해 장비가 작업자 방향으로 급작스럽게 튀어 오를 수 있습니다.

절단 과정에서 톱날이 비틀리거나 정렬이 틀어질 경우 톱날 뒤쪽 가장자리의 톱니가 나무의 상단 표면을 파고 들어가게 되어 톱날이 거단부에서 빠져나와 작업자 방향으로 튀어 오를 수 있습니다.

기계 반동은 톱의 오용, 잘못된 작동 절차 또는 조건에 의해 발생하며 아래 제시된 적절한 예방 조치를 통해 방지할 수 있습니다.

톱을 양손으로 단단히 잡고 날 반동력을 견딜 수 있게 팔을 위치시킵니다. 몸은 톱날과 일직선이 아닌 톱날의 한 쪽에 위치해야 합니다. 기계 반동 시 톱이 뒤로 튀어 오를 수 있지만, 적절한 예방 조치를 취하면 기계의 반동력을 제어할 수 있습니다.

톱날이 물체에 끼거나 어떤 이유로든 절단에 간섭이 발생할 경우, 장비 전원을 끄고 톱날이 완전히 멈출 때까지 톱이 작업물에 물린 상태로 움직이지 않도록 유지합니다. 톱날이 움직이는 동안 절대로 작업물에서 톱을 분리하거나 톱을 뒤로 당기지 마십시오. 기계 반동이 발생할 수 있습니다. 블레이드 결속 원인을 조사하고 이를 제거하기 위한 시정 조치를 취하십시오.

작업물에 톱을 다시 사용할 때는 톱니가 재료에 맞물리지 않도록 거단부의 중앙에 톱날을 배치하십시오. 톱날이 작업물에 걸린 경우, 톱을 다시 사용할 때 톱이 작업물을 타고 위로 올라가거나 기계 반동이 발생할 수 있습니다.

대형 패널을 단단하게 지지해 톱날 끼임이나 기계 반동의 위험을 최소화하십시오. 대형 패널은 자체 무게로 처지는 경향이 있습니다.

지지대는 패널 양쪽 아래 절단선 근처 및 패널 가장자리 근처에 배치해야 합니다.

톱날이 무뎠거나 손상된 경우 사용하지 마십시오. 톱날이 무뎠거나 잘못 고정된 경우 거단부가 흔들리게 되어 과도한 마찰, 톱날 걸림, 기계 반동 등이 발생할 수 있습니다.

절단 전에는 톱날의 길이 및 베벨 조정 잠금 레버를 단단히 조여야 합니다. 절단 중에 톱날 조정이 바뀌게 되면, 톱날 걸림 및 기계 반동이 발생할 수 있습니다.

기존 벽이나 다른 블라인드 영역을 톱질할 때는 각별히 주의하십시오. 돌출 톱날로 물체를 절단할 경우 반동이 발생할 수 있습니다.

하부 보호대 기능

사용하기 전에 항상 하부 보호대가 제대로 닫혀 있는지 점검하십시오. 하부 보호대가 움직이지 않고 즉시 닫히지 않을 경우에는 톱을 작동하지 마십시오. 하부 보호대를 개방 위치에 놓고 고정하거나 묶지 마십시오. 톱을 실수로 떨어뜨리면 하부 보호대가 구부러질 수 있습니다. 수축형 핸들을 하부 보호대를 올리고 보호대가 자유롭게 움직이려 할 때 각도와 길이가 모두 톱날이나 다른 부품에 닿지 않는지 확인합니다.

하부 보호대 스프링이 작동하는지 점검합니다. 보호대와 스프링이 제대로 작동하지 않으면 사용하기 전에 서비스를 받아야 합니다. 부품이 손상되거나 고우 침전물 또는 이물질이 축적된 경우 하부 보호대가 느리게 수축/확장될 수 있습니다.

하부 보호대는 "플런지 컷" 및 "복합 컷"과 같은 특수 절단 시에만 수동으로 수축할 수 있습니다. 수축 핸들을 사용하여 하부 보호대를 올리고 톱날이 자재에 물리자마자 하부 보호대를 해제해야 합니다. 다른 모든 톱질 의 경우, 하부 보호대는 자동으로 작동해야 합니다.

톱을 벤치나 바닥에 놓기 전에 항상 하부 보호대가 톱날을 덮고 있는지 확인하십시오. 보호되지 않은 상태에서 잔여 전원으로 톱날이 가동(코스팅)될 때 톱날이 뒷방향으로 진행하게 되어 해당 방향의 모든 것을 절단하게 될 수 있습니다. 스위치를 놓은 후 (전원을 차단한 후) 톱니가 정지하기까지 걸리는 시간을 항상 염두에 두어야 합니다.

추가적인 안전 및 작업 지침

개인 보호 장비를 착용하십시오. 항상 보안경을 착용하십시오. 먼지 마스크, 미끄럼 방지 안전화, 안전모 또는 적절한 조건에서 사용하는 청력 보호 장치 같은 보호 장구를 착용하면 작업자의 부상을 줄일 수 있습니다.

제품 사용 시 발생하는 먼지는 건강에 해로울 수 있습니다. 그러한 분진을 흡입하지 마십시오. 먼지 흡수 시스템을 사용하고 적합한 먼지 보호 마스크를 착용하십시오. 집진기 등을 사용하여 쌓인 먼지를 깨끗하게 제거합니다.

악세서리의 정격 속도는 적어도 전동 공구에 표시된 최대 속도와 같아야 합니다. 정격 속도보다 빠르게 작동하는 부속품은 파손 및 산산 조각날 수 있습니다.

절단되는 재료에 적합한 톱날을 선택해야 합니다.

이 설명서에서 지정한 EN 847-1을 준수하는 목공용 톱날만 사용하십시오.

이 사용 설명서에서 제공된 주요 데이터에 부합하지 않는 톱날은 사용하지 마십시오.

마모된 디스크는 제품에 사용하지 마십시오.

제품을 청소하거나 분리하기 전, 배터리 팩을 제거하십시오.

사용 중에는 가드를 올바르게 부착해야 합니다. 가드를 배치하지 않은 상태에서는 제품을 조작하지 마십시오. 가드 없이 제품을 조작하면 심각한 부상을 야기할 수 있습니다.

톱날 커버가 깨지거나 손상된 경우 공인 전문 센터에서 즉시 교체합니다. 톱날 덮개에 결함이 있거나 톱날 덮개가 없는 경우 제품을 작동하지 않아야 합니다.

고정 장치로 작업물을 고정시킵니다. 작업물이 고정되지 않으면 중상 또는 파손을 일으킬 수 있습니다.

휴대용 제품 사용 시, 온/오프 스위치를 "온" 위치로 고정하지 마십시오.

자료 공급(피드) 속도를 조절하여 톱날의 틈이 과열되지 않고 플라스틱 절단 시 작업물이 녹지 않도록 합니다.

⚠ 경고! 가드 장치와 침 용기가 설치되지 않은 상태에서 제품을 작동하지 마십시오. 심각한 부상을 입을 수 있습니다. 상해 위험을 줄이려면 침 용기를 분리할 때 측면 보호 장치가 있는 보안경이나 안경을 착용하십시오 부스러기와 이물질이 얼굴로 뿔 수 있습니다.

구체적인 사용 조건

이 무선 원형 톱은 목재를 정확하게 세로 길이와 제비촉(마이터)으로 절단할 수 있습니다.

다른 목적으로 제품을 사용하지 마십시오.

잔류 위험

제품을 설명서대로 사용하더라도 위험 요소를 완전히 제거하는 것은 여전히 불가능합니다. 제품 사용 중 다음과 같은 위험 요소가 발생할 수 있으며, 작업자는 다음 사항을 회피하기 위해 세심한 주의를 기울여야 합니다:

- 블레이드 접촉으로 인해 야기된 부상
 - 날은 매우 날카로우며 사용 중에는 뜨거워질 수 있습니다. 날을 교체할 때는 장갑을 끼십시오. 어떤 경우에도 절단 부분에 손을 가까이 가져가지 마십시오. 작업물을 손으로 잡거나 다리 사이에 두고 절단하지 마십시오. 가능한 작업물을 고정합니다.
- 진동으로 인한 부상
 - 지정된 핸들을 이용해 제품을 붙잡아 사용하고 작업 시간과 진동에 대한 노출을 적절히 제한하십시오.
- 소음 노출로 인한 청력 저하 청각 장애.
 - 청력 보호구를 착용하고 소음에 대한 노출을 제한하십시오.
- 튀어 나오는 파편으로 인한 부상
 - 항상 눈 보호 장치, 길이가 긴 바지, 장갑 및 안전화를 착용하십시오.
- 독성 먼지 흡입으로 인한 건강 위험
 - 적절한 분진 보호 마스크를 착용하십시오.

배터리 관련 안전 지침

리튬-이온 배터리 사용

사용한 배터리 팩을 가정용 쓰레기로 폐기하거나 이를 태우지 마십시오. MILWAUKEE 유통업체에서는 소모된 배터리를 수거하여 환경을 보호합니다.

배터리 팩을 금속 물체와 함께 보관하지 마십시오(단락 회로 위험).

M18 시스템 배터리 팩을 충전하려면 M18 시스템 충전기만 사용하십시오. 다른 시스템의 배터리 팩을 사용하지 마십시오.

배터리 팩과 충전기를 개방하지 말고, 건조한 곳에 보관하십시오. 배터리 팩과 충전기는 항상 건조한 상태로 유지하십시오.

극심한 부하 또는 극심한 온도 조건에서 손상된 배터리로부터 배터리 산이 누출될 수 있습니다. 배터리 산과 접촉한 경우, 비누물로 즉시 세척하십시오. 눈과 접촉할 경우, 최소 15분 동안 철저히 세정한 후 즉각적인 의료 조치를 취하십시오.

충전기의 배터리 부위에 어떤 금속 조각도 들어가는 안됩니다 (합선 위험이 있습니다).

오랫 동안 사용하지 않은 배터리 팩은 사용하기 전에 충전해야 합니다.

50 °C를 초과하는 온도는 배터리 팩의 성능을 저하시킵니다. 열이나 햇빛에 오래 노출시키지 마십시오(과열 위험).

충전기 접점 및 배터리 팩을 청결한 상태로 유지해야 합니다.

최적의 수명을 보장하려면 사용한 후에 배터리 팩을 완전히 충전해야 합니다.

⚠ 경고! 단락 회로로 인한 화재, 작업자 부상 및 제품 손상 위험을 줄이려면 제품, 배터리 팩 또는 충전기를 유체에 침수시키거나 유체가 내부로 흘러들어가지 않도록 해야 합니다. 해수, 특정한 산업용 화학 물질 및 표백제 또는 표백제 함유 제품 같은 부식성 또는 전도성 유체 등은 단락 회로를 야기할 수 있습니다.

배터리 수명을 최대한 연장하려면 완전히 충전된 경우 충전기에서 배터리 팩을 제거하십시오.

30일 이상 배터리 팩을 보관하는 경우:

- 온도가 27 °C 이하이며 습기가 없는 장소에 배터리 팩을 보관하십시오.
- 배터리 팩을 30% - 50% 충전된 조건으로 보관하십시오.
- 보관 후 6개월마다 배터리를 정상적으로 충전합니다.

리튬-이온 배터리의 배터리 보호

매우 높은 도크에서, 고전류 작업을 통해 야기하는 결속, 실속 및 단락 회로 상황이 발생하고, 공구가 약 5초 동안 진동하며 연료 게이지가 광범위 다음, 공구가 꺼집니다. 재설정하려면 트리거를 해제하십시오.

극단적인 상황에서는 배터리 팩의 내부 온도가 과도하게 증가할 수 있습니다. 이런 상황이 발생하면 배터리 팩이 식을 때까지 연료 게이지가 정렬합니다. 조명이 꺼진 후 작업을 계속 진행하십시오.

리튬-이온 배터리 운반

리튬 이온 배터리는 위험물 법률 요건의 적용을 받습니다.

이 배터리는 현지, 국내 및 국제 규정과 법규에 따라 운송해야 합니다.

사용자는 추가 요건 없이 배터리를 도로를 통해 운반할 수 있습니다.

타사 리튬 이온 배터리의 상업적 운송은 위험물 규정에 따릅니다. 운송 준비 및 운송 작업은 적절히 교육을 이수한 개인만 수행해야 하고 그 과정에 해당 전문가가 동행해야 합니다.

배터리 운송 시:

- 배터리 접촉면을 보호 및 차단하여 합선 위험을 방지하십시오.
- 배터리 팩이 포장 내에서 움직이지 않도록 고정시키십시오.
- 균열 또는 누출이 있는 배터리는 운송하지 마십시오.
- 추가 지침은 운송 회사에 확인하십시오.

전동식 브레이크

스위치 방아쇠를 놓으면 전기 브레이크가 작동하여 날이 멈추고 계속해서 작업할 수 있도록 합니다. 일반적으로, 2초 이내에 톱날이 멈춥니다. 그러나 스위치 방아쇠를 놓았을 때 브레이크가 작동하기까지 시간이 걸릴 수 있습니다. 경우에 따라 브레이크가 완전히 체결되지 않을 수 있습니다. 브레이크가 제대로 작동하지 않는 경우가 자주 발생하면 공인 MILWAUKEE 서비스 센터에서 서비스를 받아야 합니다.

작업물에서 제품을 제거하기 전에 항상 날이 완전히 멈출 때까지 기다립니다.

유지 관리

제품에 톱날을 장착하거나 분리하기 전에 배터리 팩을 분리하십시오.

마른 천으로 제품과 가드 시스템을 청소합니다. 특정 세척제와 솔벤트는 플라스틱과 기타 절연된 부분에 유해합니다. 제품 손잡이를 깨끗하고 건조한 상태로 보관하고 흘린 오일이나 그리스가 묻지 않도록 하십시오. 가드 기능을 점검하십시오. 정기적으로 유지관리 및 청소하면 수명이 오래가고 안전하게 취급할 수 있습니다.

제품의 환기 슬롯을 항상 비워 두어야 합니다.

먼지를 정기적으로 제거하십시오. 화재 위험을 방지하기 위해 제품 내부에 쌓인 톱밥을 제거하십시오.

톱날 보호대에 톱밥과 이물질이 쌓이지 않도록 하십시오. 이물질이 축적되면 제품이 느리게 작동하여 심각한 부상이 발생할 수

있습니다. 압축 공기로 톱날 보호대 영역을 청소할 때에는 적절한 개인 보호 장비를 착용하십시오.

MILWAUKEE 액세서리와 부속품만 사용하십시오. 언급하지 않은 구성 부품을 교체해야 하는 경우 MILWAUKEE 서비스 센터 중 한 곳에 문의하십시오(보증 또는 서비스 주소 목록 참조).

필요할 경우, 제품의 확대 이미지를 주문할 수 있습니다. 라벨에 제공되어 있는 제품 유형과 일련 번호를 알려주고 현지 서비스 대리점에서 도면을 주문하십시오.

기호



제품을 사용하기 전에 지침을 주의하여 읽으십시오.



주의! 경고! 위험!



제품을 청소하거나 분리하기 전, 배터리 팩을 제거하십시오.



너무 힘을 가하지 않기 바랍니다.



제품을 사용할 때 항상 보안경을 착용하십시오.



귀마개를 착용하십시오.



적합한 분진 보호 마스크를 착용하십시오.



장갑을 착용하십시오!



회전 방향



부속품 - 표준 장비에 포함되어 있지 않음,
부속품으로 사용 가능

n_0 무부하 속도

V 전압



직류



폐 배터리, 폐 전기 및 전자 장비를 분류되지 않은 가정용 폐기물로 처리하지 마십시오. 폐 배터리와 폐 전기 및 전자 장비는 별도로 수거해야 합니다. 폐배터리, 폐축전지, 광원을 기기에서 분리해야 합니다. 재활용 조연 및 수거 지정은 해당 지자체나 소매점에 문의하십시오. 현지 규정에 따라 소매업체는 폐 배터리와 폐 전기 및 전자 장비를 무상으로 회수할 의무가 있을 수 있습니다. 폐 배터리와 폐 전기 및 전자 장비를 재사용하고 재활용하면 원자재 수요를 줄이는 데 도움이 됩니다. 특히 리튬을 포함하는 폐배터리와 폐가전, 전자 기기에는 귀중하고 재활용할 수 있는 물질이 포함되어 있으므로, 환경 친화적인 방법으로 폐기하지 않으면 환경과 인간의 건강에 악영향을 미칠 수 있습니다. 해당하는 경우, 폐 장비에서 개인 데이터를 삭제합니다.

ข้อมูลทางเทคนิค	M18 FCS66GR3
ประเภทผลิตภัณฑ์	เลื่อยวงเดือนไร้สาย
แรงดันไฟฟ้าแบตเตอรี่	18 V ---
ความเร็วเมื่อไม่มีโหลด	6000 min ⁻¹
เส้นผ่านศูนย์กลางของใบเลื่อย × เส้นผ่านศูนย์กลางของงู	190 mm × 25.4/20 mm
ความหนาของใบเลื่อย - แผ่น/ร่องตัด	1.2 mm / 1.8 mm
ฟันใบเลื่อย	24
มาตรวัดมุมเฉียง	0° – 50°
ความลึกการตัดสูงสุดที่ 0° / 45°	68 mm / 53 mm
น้ำหนักอิงตามขั้นตอนมาตรฐาน EPTA เลขที่ 01/2014 (แบตเตอรี่ลิเทียมไอออนขนาด 2.0 Ah – 12.0 Ah)	4.2 kg – 5.7 kg
อุณหภูมิในการทำงานที่แนะนำ	-18 – +50 °C
แบตเตอรี่แนะนำ	M18B..., M18 HB..., M18 FB...
แท่นชาร์จที่แนะนำ	M12-18..., M18 DFC, M18 PC6, M18 DBSC

ข้อมูลเกี่ยวกับเสียงรบกวน

ค่าการปล่อยเสียงรบกวนที่กำหนดตามมาตรฐาน EN 62841

ระดับแรงดันของเสียงที่ถ่วงน้ำหนัก A	100.7 dB(A)
ค่า K แปรผัน	3 dB(A)
ระดับกำลังของเสียงที่ถ่วงน้ำหนัก A	108.7 dB(A)
ค่า K แปรผัน	3 dB(A)

ใส่อุปกรณ์ป้องกันดวงตาระหว่างใช้งาน

ข้อมูลเกี่ยวกับการสั่น

ค่าการสั่นสะเทือนรวม (ผลรวมเวกเตอร์ในสามแกน) ที่กำหนดตาม EN 62841

ค่าการปล่อยการสั่นสะเทือน $a_{h,v}$ / ค่า K แปรผัน

การสั่นไม่	2.58 m/s ²
ค่า K แปรผัน	1.50 m/s ²
การสั่นโลหะ	2.41 m/s ²
ค่า K แปรผัน	1.50 m/s ²

คำเตือน!

ค่าระดับการสั่นสะเทือนรวมที่ระบุและค่าระดับเสียงดังรบกวนที่ระบุในเอกสารคู่มือการใช้งานฉบับนี้ได้รับการวัดผลตามการทดสอบที่เป็นไปตามมาตรฐานและอาจนำไปใช้เพื่อเปรียบเทียบเครื่องมืออื่น สามารถใช้ในการประเมินเบื้องต้นของเสียงรบกวนได้

ค่าการสั่นสะเทือนและการเสียงดังรบกวนที่ระบุเป็นข้อมูลสำหรับการใช้งานหลักของเครื่องมือ อย่างไรก็ตาม หากเครื่องมือถูกใช้งานผิดประเภท กับอุปกรณ์เสริมที่แตกต่างกัน หรือการบำรุงรักษาไม่ดีพอ ระดับการสั่นสะเทือนและเสียงดังรบกวนอาจจะแตกต่างกันออกไป สภาวะเหล่านี้อาจเพิ่มระดับเสียงรบกวนขึ้นอย่างมากในช่วงเวลาการทำงานทั้งหมด ควรพิจารณาประเมินระดับความเสี่ยงของการสั่นและเสียงดังรบกวนทุกครั้งที่เปิดเครื่องมือหรือขณะที่เครื่องกำลังเดินเบา สภาวะเหล่านี้อาจลดระดับเสียงรบกวนลงอย่างมากในช่วงเวลาการทำงานทั้งหมด

ระบบมาตรการความปลอดภัยเพิ่มเติมเพื่อปกป้องผู้ปฏิบัติงานจากผลกระทบของการสั่นสะเทือนและเสียงดังรบกวน เช่น การบำรุงรักษาเครื่องมือและอุปกรณ์เสริม รักษามือให้อบอุ่น (ในกรณีการสั่นสะเทือน) และจัดระเบียบการทำงาน

⚠ คำเตือน! อานารีซี ภาพประกอบ ข้อมูลจำเพาะ และคำเตือนด้านความปลอดภัยทั้งหมดที่ปรากฏบนผลิตภัณฑ์ การไม่ปฏิบัติตามคำแนะนำที่แสดงอยู่ด้านบน อาจทำให้เกิดไฟไหม้ ฟ้าผ่า และ/หรือการบาดเจ็บรุนแรงได้ **โปรดเก็บรักษาคำเตือนและคำแนะนำทั้งหมดไว้ให้อ่านถึงในอนาคต**

คำเตือนเกี่ยวกับความปลอดภัยของเครื่องเลื่อยวงเดือน

ขั้นตอนการตัด

⚠ อันตราย! ห้ามอยู่ห่างจากพื้นที่ตัดและใบเลื่อย ใช้มืออีกข้างจับตัวเสริม หรือเอาสี่ข้อมือต่อรถ ถ้าใช้มือทั้งสองข้างจับเลื่อย จะช่วยให้ปลอดภัยจากการถูกใบเลื่อยตัด

ห้ามเอื้อมมือไปใต้ชิ้นงาน แผ่นป้องกันไม่สามารถปกป้องคุณจากใบเลื่อยที่ขึ้นงานได้

ปรับความลึกในการตัดให้เหมาะสมกับความหนาของชิ้นงาน ควรสามารถมองเห็นใบของใบเลื่อยเมื่อใช้ได้ชิ้นงาน

ห้ามถือชิ้นงานในมือหรือวางพาดขาของคุณในระหว่างการตัด ยึดชิ้นงานเข้ากับแพลตฟอร์มที่มั่นคง จำเป็นต้องยึดชิ้นงานให้มั่นคงเพื่อความปลอดภัยของผู้ใช้ ลดการตัดชดของใบเลื่อย หรือการสูญเสียการควบคุม

ให้จับถือผลิตภัณฑ์ตรงบริเวณพื้นผิวจุดยึดเกาะที่เป็นฉนวนหนาแน่น ในกรณีการทำงานที่เครื่องมือตัดอาจสัมผัสลูกสายไฟที่ซ่อนอยู่ การสัมผัสกับสายไฟที่มี "กระแสไฟ" ยังจะทำให้ชิ้นส่วนโลหะที่ไม่มั่นคงหนาของเครื่องมือไฟฟ้ามี "กระแสไฟ" และอาจทำให้ผู้ใช้ช็อกไฟฟ้าหรือตัดได้

ให้ใช้อุปกรณ์ช่วยในการขอยไม่มี (Rip Fence) หรืออุปกรณ์กำกับแนวตัดตรง (Straight Edge Guide) เสมอ เมื่อทำการขอยไม้ ซึ่งจะช่วยเพิ่มความแม่นยำในการตัดและลดโอกาสที่ใบเลื่อยจะติดขัด

ใช้ใบเลื่อยที่มีขนาดและรูปร่าง (รูปเพชรหรือกลม) ที่เหมาะสมกับเพลามัด ใบเลื่อยที่ไม่พอดีกับอุปกรณ์ยึดของเลื่อยจะทำงานเสียศูนย์ ทำให้สูญเสียการควบคุม

ห้ามใช้แหวนรองใบเลื่อยหรือสลักที่เสียหายหรือไม่ถูกต้อง แหวนรองใบเลื่อยและสลักนั้นถูกออกแบบสำหรับเลื่อยของคุณโดยเฉพาะเพื่อประสิทธิภาพและความปลอดภัยในการทำงานสูงสุด

สาเหตุของแรงดัดกลับและการเตือนที่เกี่ยวข้อง

แรงดัดกลับเป็นแรงตอบสนองแบบกะทันหันต่อใบเลื่อยที่ถูกหนีบ ตัดขัด หรือคลาดเคลื่อน ทำให้สูญเสียการควบคุมเลื่อยและเสี่ยงต่อการตัดตัวชิ้นงานเข้าหาตัวผู้ใช้

เมื่อใบเลื่อยถูกหนีบหรือติดแน่นกับวัสดุ ใบเลื่อยจะหมุนตัดค้ำ และแรงตอบสนองจากมอเตอร์จะดัดเลื่อยกลับเข้าหาตัวผู้ใช้งานอย่างรวดเร็ว

ถ้าใบเลื่อยตัดตัวหรือคลาดเคลื่อนในระหว่างการตัด พื้นที่ขอบด้านหลังของใบเลื่อยอาจตัดเข้าไปที่พื้นผิวด้านบนของไม้ ทำให้ใบเลื่อยถูกตัดออกจากทรงตัด แล้วดัดเข้าหาตัวผู้ใช้งาน

แรงดัดกลับเป็นผลของการใช้งานเลื่อยในทางที่ผิดและ/หรือใช้แฉอนหรือสภาวะการใช้งานที่ไม่ถูกต้อง และสามารถหลีกเลี่ยงได้ด้วยการปฏิบัติตามข้อควรระวังที่ระบุด้านล่างอย่างเหมาะสม

จับถือเลื่อยอย่างมั่นคงด้วยมือทั้งสองข้าง แล้วจับตำแหน่งแขนของคุณเพื่อต้านแรงดัดกลับ ยืนอยู่ที่ด้านข้างด้านใดด้านหนึ่งของใบเลื่อย แต่ไม่ตรงกับคมของใบเลื่อย แรงดัดกลับสามารถทำให้เลื่อยดัดกลับหลัง แต่ผู้ใช้งานจะสามารถควบคุมแรงดัดกลับได้ถ้าทำตามข้อควรระวังที่เหมาะสม

เมื่อใบเลื่อยติดขัด หรือการตัดถูกขัดขวางด้วยเหตุใดก็ตาม ให้ปล่อยทริกเกอร์แล้วจับเลื่อยให้อยู่ในจุดที่มั่นคงกว่า ใบเลื่อยจะหยุดสนิท อย่าพยายามดึงเลื่อยออกจากชิ้นงาน หรือดึงเลื่อยออกหลังขณะที่ใบเลื่อยกำลังหมุน เพราะอาจทำให้เกิดแรงดัดกลับได้ ตรวจสอบและปฏิบัติตามอย่างถูกต้องเพื่อป้องกันไม่ให้ใบมีดติดขัด

เมื่อเริ่มการทำงานของเลื่อยในชิ้นงานอีกครั้ง ให้จัดวางตำแหน่งใบเลื่อยไว้ที่กลางใบแรงตัด เพื่อไม่ให้พื้นเลื่อยตลึงวนเข้าไปในชิ้นงาน หากใบเลื่อยติดขัด อาจทำให้ใบเลื่อยพุ่งขึ้นหรือดัดกลับจากชิ้นงานได้ขณะที่เริ่มการทำงานของเลื่อยอีกครั้ง

ยึดแผ่นชิ้นงานขนาดใหญ่เพื่อลดความเสี่ยงที่ใบเลื่อยจะถูกหนีบและตัดค้ำ แผ่นชิ้นงานขนาดใหญ่มักจะห้อยลงจากน้ำหนักของมันเอง ต้องติดตั้งอุปกรณ์รองรับไว้ที่ทั้งสองด้านของแผ่นชิ้นงาน คือใกล้กับเส้นการตัด และใกล้กับขอบของแผ่นชิ้นงาน

ห้ามใช้ใบเลื่อยที่ต่อหรือเสียหาย ใบเลื่อยที่ไม่ครบหรือติดตั้งอย่างไม่เหมาะสมจะทำให้เครื่องตัดที่แคบ เกิดแรงเสียดทานมากขึ้น ใบเลื่อยติดขัด และเกิดการดัดกลับได้

คั่นยอกถือความปลอดภัยของใบเลื่อยและการปรับมุมเอียงจะต้องแน่นและมั่นคงก่อนทำการตัด ถ้าการปรับใบเลื่อยเคลื่อนไหวยางระหว่างการตัด อาจทำให้เกิดการตัดชดของใบเลื่อยและการดัดกลับได้

ใช้ความระมัดระวังเป็นพิเศษเมื่อทำการเลื่อยเข้าไปในผนัง หรือพื้นที่จุดอ่อนอื่นๆ ใบเลื่อยที่ยื่นออกมาอาจตัดวัตถุที่ทำให้เกิดการดัดกลับได้

ฟังก์ชันแผ่นป้องกันด้านล่าง

ตรวจสอบว่าแผ่นป้องกันด้านล่างปิดอย่างเหมาะสมแล้วก่อนใช้งานแต่ละครั้ง ห้ามใช้เลื่อยถ้าแผ่นป้องกันด้านล่างไม่สามารถเคลื่อนที่อย่างอิสระและปิดในทันที ห้ามยึดหรือผูกแผ่นป้องกันด้านล่างไว้ในตำแหน่งเปิด ถ้าหาเลื่อยตกโดยบังเอิญ แผ่นป้องกันด้านล่างอาจคลอได้ ยกแผ่นป้องกันด้านล่างด้วยตามจับที่ห้อยกลับได้ และตรวจสอบให้แน่ใจว่าแผ่นป้องกันสามารถเคลื่อนที่ได้อย่างอิสระและไม่สัมผัสกับเลื่อยหรือส่วนใดก็ตามที่หุ้มมุมและความลึกในการตัด

ตรวจสอบการทำงานของสปริงของแผ่นป้องกันด้านล่าง หากแผ่นป้องกันและสปริงทำงานไม่ถูกต้อง จะต้องทำการซ่อมบำรุงก่อนใช้งาน แผ่นป้องกันด้านล่างอาจทำงานเหมือนประสิทธิภาพถ้ามีชิ้นส่วนได้รับความเสียหาย มีเศษจากการตัดที่ติดเหนียว หรือเศษสะสมของชิ้นงาน

สามารถหดรัดกลับแผ่นป้องกันด้านล่างด้วยมือสำหรับการตัดพิเศษเท่านั้น เช่น "การตัดแนวตั้ง" และ "การตัดแบบผสม" ยกแผ่นป้องกันด้านล่างขึ้นโดยใช้ตัวจับและมือหดรัดกลับได้ และต้องปล่อยแผ่นป้องกันด้านล่างทันทีที่ใบเลื่อยตัดเข้าไปในเนื้อวัสดุ สำหรับการเลื่อยแบบอื่นๆ ทั้งหมด แผ่นป้องกันด้านล่างจะทำงานโดยอัตโนมัติ

ตรวจสอบว่าแผ่นป้องกันด้านล่างคลุมใบเลื่อยไว้เสมอก่อนที่จะวางเลื่อยลงบนโต๊ะทำงานหรือพื้น ใบเลื่อยที่หมุนไปด้วยแรงเฉื่อยโดยที่ไม่มีการป้องกันจะทำให้เลื่อยเคลื่อนออกหลังมาต่ออะไรก็ตามที่ขาางอยู่ได้ โปรดทราบว่าใบเลื่อยอาจหมุนอยู่ระยะหนึ่งก่อนจะหยุดหมุนหลังจากที่ปล่อยสวิตช์แล้ว

คำแนะนำเพิ่มเติมเรื่องความปลอดภัยและการใช้งาน

สวมอุปกรณ์ป้องกันอันตรายส่วนบุคคล ใส่อุปกรณ์ป้องกันสายตาอยู่เสมอ อุปกรณ์ป้องกัน เช่น หมวกกันน็อก รองเท้าหุ้มกันส้น หมวกกันน็อก หรืออุปกรณ์ป้องกันเสียงที่ใช้ตามสถานการณ์ที่เหมาะสมจะช่วยลดการบาดเจ็บของคุณได้

ผู้คนที่เกิดจากการใช้ผลิตภัณฑ์อาจเป็นอันตรายต่อสุขภาพ อย่าสูดหายใจเอาฝุ่นผงสีขาวเข้าไป ให้สวมชุดขูดฝุ่น และสวมหน้ากากป้องกันฝุ่นอย่างเหมาะสม ขจัดฝุ่นที่ตกค้างอยู่ก่อนทิ้งขูดฝุ่นทุกครั้ง

ความเร็วที่พิดของอุปกรณ์เสริม อย่างน้อยที่สุดจะต้องเท่ากับความเร็วสูงสุดที่มีตัวเลขกำกับอยู่บนเครื่องมือไฟฟ้า อุปกรณ์เสริมที่ทำงานเร็วเกินความเร็วที่พิด อาจแตกหักและกระเด็นได้

จำเป็นต้องเลือกใบเลื่อยที่เหมาะสมสำหรับวัตถุประสงค์

ใช้ใบเลื่อยสำหรับงานไม้ที่ระบุไว้ในคู่มือนี้ซึ่งเป็นไปตามมาตรฐาน EN 847-1 เท่านั้น ห้ามใช้ใบเลื่อยที่ไม่สอดคล้องกับข้อมูลสำคัญที่ระบุไว้ในคำแนะนำการใช้งาน

ห้ามใช้ขาขัดกับผลิตภัณฑ์นี้

ถอดแบตเตอรี่ออกก่อนเริ่มการบำรุงรักษา

เกราะปกป้องต้องติดตั้งอย่างถูกต้องระหว่างใช้งาน อย่าใช้งานผลิตภัณฑ์โดยไม่ได้ติดตั้งเกราะปกป้อง การใช้ผลิตภัณฑ์โดยไม่มีการกระทำทำให้เกิดการบาดเจ็บรุนแรง

หากฝากรอบใบเลื่อยแตกหรือหัก ให้เปลี่ยนใหม่โดยทันทีโดยศูนย์บริการที่ได้รับอนุญาต ห้ามใช้ฝากรอบที่ชำรุด หากตัวครอบใบมีดเลื่อยมีข้อบกพร่องหรือขาดหายไป ยึดชิ้นงานที่จะเจาะด้วยอุปกรณ์ยึด การยึดชิ้นงานที่จะเจาะอาจทำให้ได้รับบาดเจ็บร้ายแรงหรือเกิดความเสียหายได้

ห้ามลือสวิตช์เปิด/ปิดไว้ในตำแหน่ง "เปิด" ขณะใช้งานเลื่อยโดยมีมือจับ

ปรับความเร็วการป้อนเพื่อไม่ให้เกิดความร้อนเกินไปที่ปลายใบเลื่อยและเพื่อหลีกเลี่ยงไม่ให้ชิ้นงานและลายไม้มีดตีฟลายได้

⚠ คำเตือน! ห้ามใช้งานผลิตภัณฑ์หากไม่มีตัวป้องกันและภาชนะรองรับเศษตัดถูกตัดทิ้งไว้ อาจเกิดการบาดเจ็บร้ายแรงได้ เพื่อลดความเสี่ยงในเรื่องการบาดเจ็บ ให้สวมแว่นตาที่ปรับหรือแว่นตาที่มีแผ่นป้องกันด้านล่างขณะถอดภาชนะรองรับเศษตัดออก เศษวัสดุอาจกระเด็นใส่ใบหน้าของคุณ

เงื่อนไขเฉพาะในการใช้งาน

เลื่อยวงเดือนไร้สายสามารถตัดได้ตามแนวยาวและตัดเป็นมุม 45 องศาได้อย่างแม่นยำ

ห้ามใช้ผลิตภัณฑ์เพื่อวัตถุประสงค์อื่นนอกเหนือจากที่ระบุ

ความเสี่ยงที่เหลือน

ถึงแม้เครื่องมือจะได้รับคำสั่งตามที่กำหนด แต่ก็ไม่สามารถกำจัดปัจจัยความเสี่ยงที่หลงเหลืออยู่ได้ อาจเกิดภัยอันตรายต่อไปในระหว่างการใช้งานได้ และผู้ใช้งานควรระมัดระวังเป็นพิเศษเพื่อหลีกเลี่ยงอันตรายต่อไป:

- การบาดเจ็บที่เกิดจากการสัมผัสใบเลื่อย
 - ใบเลื่อยมีความคมมากและจะร้อนในระหว่างการใช้งาน สวมถุงมือเมื่อเปลี่ยนใบเลื่อย ให้มีมืออยู่ห่างจากพื้นที่ตัดตลอดเวลา ห้ามถือชิ้นงานในเมื่อหรือวางพาดขาของชุดในระหว่างการตัด จับยึดชิ้นงานให้แน่นทุกครั้งที่เป็นไปได้
- การบาดเจ็บที่เกิดจากแรงสั่นสะเทือน
 - จับบริเวณที่จับเฉพาะของผลิตภัณฑ์และอย่าใช้งานติดต่อกันเป็นเวลานาน
- ระบบการได้ยินอาจได้รับความเสียหาย หากได้ยินเสียงดัง
 - สวมอุปกรณ์ป้องกันการได้ยินและจำกัดระยะเวลาการได้ยิน
- การบาดเจ็บเนื่องจากเศษวัสดุที่กระเด็น
 - สวมใส่อุปกรณ์ป้องกันดวงตา กางเกงขายาวที่มีความหนา ถุงมือและรองเท้าที่แข็งแรงทนทานตลอดเวลา
- อันตรายต่อสุขภาพที่อาจสูญหายใจเอาผู้ไม่พึงเข้าไป
 - ให้สวมหมวกป้องกันผู้ที่เหมาะสม

คำแนะนำเกี่ยวกับความปลอดภัยสำหรับแบตเตอรี่

การใช้แบตเตอรี่ลิเธียมไอออน

อย่าทิ้งแบตเตอรี่ที่เลิกใช้แล้วรวมกับขยะในครัวเรือนหรือทิ้งลงในกองไฟ ผู้แทนจำหน่ายของ MILWAUKEE มีข้อเสนอในการจัดการแบตเตอรี่เก่าเพื่อปกป้องสภาพแวดล้อมของเรา

ห้ามเก็บแพ็คแบตเตอรี่ร่วมกับวัตถุที่เป็นโลหะ (เสี่ยงต่อการลัดวงจร)

ชาร์จชุดแบตเตอรี่ M18 ด้วยตัวชาร์จสำหรับ M18 เท่านั้น อย่าใช้แบตเตอรี่จากระบบอื่น ๆ

ห้ามเปิดทำลายแบตเตอรี่และเครื่องชาร์จและเก็บไว้ในห้องที่แห้งเท่านั้น เก็บก่อนแบตเตอรี่และอุปกรณ์ชาร์จในที่แห้งตลอดเวลา

กรดแบตเตอรี่อาจรั่วซึมจากแบตเตอรี่ที่เสียหายภายในตู้อลูมิเนียมสูงหรือการใช้งานที่หนักมากเกินไป หากสัมผัสผลิตภัณฑ์แบตเตอรี่ ให้ล้างออกทันทีด้วยน้ำสบู่ หากกรดแบตเตอรี่ซัดตา ล้างตาให้ทั่วด้วยน้ำอย่างน้อย 10 นาทีและไปพบแพทย์ทันที ห้ามไม่ให้ชิ้นส่วนที่เป็นโลหะในสายของตัวชาร์จ (เสี่ยงลัดวงจร)

ควรชาร์จแบตเตอรี่ที่ไม่ได้ใช้งานเป็นระยะเวลาหนึ่งก่อนที่จะใช้งาน

ประสิทธิภาพของชุดแบตเตอรี่จะลดลงหากอุณหภูมิสูงกว่า 50 °C หลีกเลี่ยงไม่ให้ถูกแสงแดดหรือความร้อนเป็นเวลานาน (เสี่ยงต่อความร้อนเกิน)

ต้องหมั่นดูแลความสะอาดหน้าสัมผัสตัวชาร์จกับชุดแบตเตอรี่

เพื่อยืดอายุการใช้งาน ควรชาร์จแบตเตอรี่ให้เต็มหลังการใช้งาน

⚠ คำเตือน! วิสลดความเสี่ยงในการเกิดไฟไหม้ การบาดเจ็บส่วนบุคคล และความเสี่ยงต่อผลิตภัณฑ์ จากการลัดวงจร อย่างรุนแรงคือ แบตเตอรี่ หรือเครื่องชาร์จไฟลงในของเหลวหรือปล่อยให้อ่างของเหลวเข้าสู่ภายใน ของเหลวที่มีฤทธิ์กัดกร่อนหรือนำไฟฟ้าอาจก่อให้เกิดการลัดวงจรได้ เช่น น้ำมัน เกล สารเคมีทางอุตสาหกรรมบางชนิด และผลิตภัณฑ์ฟอกสีหรือมีส่วนผสมการฟอกสี เป็นต้น

เพื่อรักษาอายุแบตเตอรี่ให้มากที่สุด ให้ถอดชุดแบตเตอรี่ออกจากตัวชาร์จเมื่อชาร์จไฟเต็ม

สำหรับชุดแบตเตอรี่ที่ต้องการเก็บไว้มากกว่า 30 วัน:

- เก็บชุดแบตเตอรี่ไว้ที่อุณหภูมิต่ำกว่า 27 °C และหลีกเลี่ยงความร้อน
- เก็บชุดแบตเตอรี่ไว้ที่ความจุประมาณ 30% – 50%
- ให้ชาร์จแบตเตอรี่ตามปกติทุก ๆ หกเดือนเพื่อยืดอายุแบตเตอรี่

การป้องกันแบตเตอรี่สำหรับแบตเตอรี่ลิเธียมไอออน

ในสถานการณ์ที่เกิดแรงบิดสูง ตัดขีด สดุด และเกิดการลัดวงจรเนื่องจากมีการเสียด้านกลับสูง เครื่องมือจะสันเป็นเวลา 5 วินาที และเกจแบตเตอรี่จะกะพริบ แล้วเครื่องมือจะดับลง การรีเซ็ต ให้ปิดและเปิดเครื่องใหม่

ในสภาวะการทำงานหนัก อาจทำให้ชุดแบตเตอรี่มีอุณหภูมิภายในสูงเกินไป ถ้าเกิด

กรณีดังกล่าว มาตรวัดพลังงานจะตัดกะพริบจนกว่าแบตเตอรี่จะเย็นลง ให้ทำงานต่อหลังจากที่ไฟดับแล้ว

การขนส่งแบตเตอรี่ลิเธียมไอออน

แบตเตอรี่ลิเธียมไอออนอยู่ภายใต้ข้อกำหนดตามกฎหมายของสินค้าอันตราย

การขนส่งแบตเตอรี่เหล่านี้ต้องกระทำตามกฎหมายระเบียบและข้อบังคับของท้องถิ่น ของประเทศ และระหว่างประเทศ

ผู้ใช้สามารถขนส่งแบตเตอรี่จากถนนได้โดยไม่ต้องมีข้อกำหนดใดๆ เพิ่มเติม

การขนส่งแบตเตอรี่ลิเธียมไอออนผู้ให้บริการภายนอกจะต้องจัดการตามกฎหมายระเบียบสินค้าอันตราย การเตรียมการขนส่งและการขนส่งต้องดำเนินการโดยบุคลากรที่ผ่านการฝึกอบรมมาแล้วเท่านั้น และในระหว่างดำเนินการต้องมีผู้เชี่ยวชาญที่เกี่ยวข้องคอยกำกับดูแล

เมื่อขนย้ายแบตเตอรี่:

- โปรดตรวจสอบให้แน่ใจว่าตัวสัมผัสของแบตเตอรี่ได้รับการปกป้องและติดตั้งลงแนวเพื่อป้องกันการลัดวงจร
- ตรวจสอบให้แน่ใจว่าก้อนแบตเตอรี่ได้รับการปกป้องอย่างแน่นหนาอยู่ในบรรจุภัณฑ์
- ห้ามเคลื่อนย้ายแบตเตอรี่ที่แตกหรือรั่ว
- โปรดสอบถามบริษัทขนส่งหากท่านต้องการคำแนะนำเพิ่มเติม

เบรกไฟฟ้า

เบรกไฟฟ้าจะทำงานเมื่อปล่อยทริกเกอร์สวิตช์ ทำให้ใบเลื่อยหยุดทำงานและทำให้คุณสามารถทำงานต่อไปได้ โดยทั่วไปแล้ว ใบเลื่อยจะหยุดภายใน 2 วินาที อย่างไรก็ตามอาจมีการหน่วงระหว่างเวลาที่ปล่อยทริกเกอร์สวิตช์และเวลาเบรกทำงาน ในบางครั้ง เบรกอาจยังไม่หยุดเลย หากเบรกทำงานผิดพลาดบ่อย จำเป็นต้องซ่อมแซมผลิตภัณฑ์โดยศูนย์บริการ MILWAUKEE ที่ได้รับอนุญาต ปล่อยให้ใบเลื่อยหยุดสนิทก่อนนำผลิตภัณฑ์ออกจากชิ้นงานเสมอ

การบำรุงรักษา

ตรวจสอบให้แน่ใจว่าได้ถอดแบตเตอรี่ออกจากผลิตภัณฑ์แล้วก่อนที่จะใส่หรือถอดใบเลื่อย

ทำความสะอาดผลิตภัณฑ์และระบบป้องกันด้วยผ้าแห้ง น้ำยาทำความสะอาดและสารละลายบางชนิดเป็นอันตรายต่อพลาสติกและชิ้นส่วนอื่น ๆ หมั่นทำความสะอาดตามฉลิตภัณฑ์ เช็ดให้แห้งเพื่อป้องกันการคราบน้ำมันหรือจารบี ตรวจสอบการทำงานของอุปกรณ์ป้องกัน มีการบำรุงรักษาและการทำความสะอาดเป็นประจำ ให้บริการตลอดอายุการใช้งาน รวมถึงการจัดการอย่างปลอดภัย

รักษาความสะอาดของระบบอากาศของผลิตภัณฑ์ให้ปราศจากสิ่งสกปรกอยู่ตลอดเวลา

ทำความสะอาดฝุ่นเป็นประจำ กำจัดขี้เลื่อยที่สะสมอยู่ภายในผลิตภัณฑ์เพื่อหลีกเลี่ยงความเสี่ยงไฟไหม้

รักษาให้พื้นที่ส่วนบ่งชี้ไม่มีดปราศจากขี้เลื่อยและเศษวัสดุสะสม อุปกรณ์อาจมีประสิทธิภาพลดลงเนื่องจากเศษวัสดุสะสม ซึ่งอาจเป็นสาเหตุของการบาดเจ็บร้ายแรงได้ สวมอุปกรณ์ป้องกันส่วนบุคคลที่เหมาะสมขณะใช้ลมแรงดันเป่าทำความสะอาดบริเวณแผ่นป้องกันใบมีด

ให้ใช้อุปกรณ์นิรภัยและชิ้นส่วนอะไหล่ของ MILWAUKEE เท่านั้น หากจำเป็นต้องเปลี่ยนส่วนประกอบที่ไม่ได้อธิบายไว้ ให้ติดต่อศูนย์บริการของ MILWAUKEE (ดูที่รายการการรับประกัน/ที่อยู่ของศูนย์บริการของเรา)

สามารถสภาพขายของผลิตภัณฑ์ได้ หากต้องการ โปรดระบุประเภทผลิตภัณฑ์ที่พิมพ์รวมถึงหมายเลขซีเรียลบนฉลาก และส่งชื่อแบบพิมพ์เขียวที่ตัวแทนบริการภายในท้องถิ่นของคุณ

สัญลักษณ์



อ่านคำแนะนำการใช้งานอย่างละเอียดก่อนใช้ผลิตภัณฑ์



ข้อควรระวัง! คำเตือน! อันตราย!



ถอดแบตเตอรี่ออกก่อนเริ่มการบำรุงรักษา



อย่าฝืนใช้งาน



สวมแว่นตานิรภัยทุกครั้งที่ใช้ผลิตภัณฑ์นี้



สวมอุปกรณ์ป้องกันเสียง



ให้สวมหน้ากากป้องกันฝุ่นที่เหมาะสม



สวมถุงมือ



ทิศทางการหมุน



อุปกรณ์เสริม - ไม่รวมอยู่ในอุปกรณ์มาตรฐาน จำหน่ายเป็น
อุปกรณ์เสริม

n_0

ความเร็วเมื่อไม่มีโหลด

V

แรงดันไฟฟ้า



กระแสตรง



อย่าทิ้งแบตเตอรี่ใช้แล้ว ชยะอุปกรณ์ไฟฟ้าและอิเล็กทรอนิกส์
รวมกับขยะในครัวเรือนโดยไม่ได้แยกประเภท ให้ทิ้งแบตเตอรี่
ใช้แล้ว ชยะอุปกรณ์ไฟฟ้าและอิเล็กทรอนิกส์แยกต่างหาก ต้อง
ถอดแบตเตอรี่ หม้อเก็บไฟฟ้า และแหล่งกำเนิดแสงที่จะทิ้งออก
จากอุปกรณ์ ตรวจสอบกับหน่วยงานควบคุมในท้องถิ่นของคุณ
หรือร้านค้าปลีกสำหรับคำแนะนำในการรีไซเคิลและจุดทิ้งขยะ
ประเภทนี้ ภายใต้กฎระเบียบในท้องถิ่น ร้านค้าอาจมีข้อมูล
ในการรวบรวมขยะแบตเตอรี่ใช้แล้วและชยะอุปกรณ์ไฟฟ้าและ
อิเล็กทรอนิกส์กลับมาโดยไม่มีค่าใช้จ่ายเพิ่มเติม การนำมาใช้
ใหม่และการรีไซเคิลของแบตเตอรี่ใช้แล้ว ชยะอุปกรณ์ไฟฟ้า
และอิเล็กทรอนิกส์จะช่วยลดการใช้วัตถุดิบใหม่ซึ่งช่วยอนุรักษ์
ทรัพยากรได้ แบตเตอรี่ที่เสื่อมสภาพโดยเฉพาะประเภทที่มีลิเทียม
และชยะอิเล็กทรอนิกส์และอุปกรณ์อิเล็กทรอนิกส์มีวัสดุที่มีค่าและ
รีไซเคิลได้ ซึ่งอาจทำให้เกิดผลกระทบต่อสภาพแวดล้อม
และสุขภาพของมนุษย์หากไม่ทิ้งในวิธีที่เป็นมิตรต่อสิ่งแวดล้อม ลบ
ข้อมูลส่วนบุคคลออกจากอุปกรณ์ที่ยกเลิกใช้งานแล้ว ถ้ามี

DATA TEKNIS	M18 FCS66GR3
Tipe	Gergaji sirkular tanpa kabel
Tegangan baterai	18 V ---
Kecepatan tanpa beban	6000 min ⁻¹
Diameter bilah gergaji × diameter lubang	190 mm × 25,4/20 mm
Ketebalan bilah gergaji - pelat/garitan	1,2 mm / 1,8 mm
Gigi bilah	24
Skala bevel	0° – 50°
Kedalaman potong maksimum pada 0° / 45°	68 mm / 53 mm
Berat berdasarkan Prosedur EPTA 01/2014 (Li-Ion 2,0 Ah – 12,0 Ah)	4,2 kg – 5,7 kg
Suhu pengoperasian sekitar yang direkomendasikan	-18 – +50 °C
Paket baterai yang direkomendasikan	M18B..., M18 HB..., M18 FB...
Pengisi daya yang direkomendasikan	M12-18..., M18 DFC, M18 PC6, M18 DBSC

Informasi kebisingan

Nilai emisi derau ditentukan menurut EN 62841

Tingkat tekanan suara tertimbang A	100,7 dB(A)
K ketidakpastian	3 dB(A)
Tingkat daya suara tertimbang A	108,7 dB(A)
K ketidakpastian	3 dB(A)

Pakailah pelindung telinga.

Informasi vibrasi

Total nilai vibrasi (jumlah vektor di ketiga aksis) ditentukan sesuai EN 62841.

Nilai emisi getaran a_n / K ketidakpastian

Penggergajian kayu	2,58 m/s ²
K ketidakpastian	1,50 m/s ²
Penggergajian logam	2,41 m/s ²
K ketidakpastian	1,50 m/s ²

PERINGATAN!

Tingkat getaran total yang dinyatakan dan tingkat emisi derau yang dinyatakan dalam lembaran informasi ini telah diukur sesuai dengan uji standar dan dapat digunakan untuk membandingkan satu alat dengan alat lainnya. Alat ini dapat digunakan untuk penilaian awal terhadap paparan.

Tingkat getaran dan emisi derau yang dinyatakan menggambarkan aplikasi utama alat ini. Namun jika alat ini digunakan untuk aplikasi yang berbeda, dengan aksesoris yang berbeda atau tidak dirawat dengan baik, getaran dan emisi kebisingan yang timbul mungkin berbeda. Kondisi ini secara signifikan dapat meningkatkan tingkat paparan selama total masa kerja.

Perkiraan tingkat paparan terhadap getaran dan derau juga harus memperhitungkan saat-saat ketika alat dimatikan atau ketika produk sedang dinyalakan tetapi tidak digunakan. Kondisi ini secara signifikan dapat mengurangi tingkat paparan selama total masa kerja.

Identifikasi langkah-langkah keselamatan tambahan untuk melindungi operator dari efek getaran dan derau, seperti merawat peralatan dan aksesoris, menjaga tangan tetap hangat (terkait getaran), dan mengatur pola kerja.

⚠ PERINGATAN! Baca semua peringatan keselamatan, petunjuk, ilustrasi, dan spesifikasi yang disertakan bersama produk. Tidak dipatuhinya semua petunjuk di bawah ini, dapat berakibat sengatan listrik, kebakaran, dan/atau cedera parah. **Simpan semua peringatan dan instruksi untuk referensi di masa mendatang.**

PERINGATAN KESELAMATAN GERGAJI PUTAR

PROSEDUR PEMOTONGAN

⚠ BAHAYA! Jauhkan tangan dari area pemotongan dan bilah. Jaga agar tangan kedua Anda berada pada gagang bantuan, atau kerangka motor. Jika kedua tangan memegang gergaji, maka tidak dapat dipotong dengan bilah.

Jangan menjangkau di bawah benda kerja. Pengaman tidak dapat melindungi Anda dari bilah di bawah benda kerja.

Sesuaikan kedalaman pemotongan dengan ketebalan benda kerja. Sepanjang kurang dari satu gigi penuh gigi bilah harus terlihat di bawah benda kerja.

Jangan pernah memegang benda kerja di tangan Anda atau di atas kaki Anda selama memotong. Amankan benda kerja ke platform yang stabil. Penting untuk menyangga benda kerja dengan benar untuk meminimalkan paparan badan, bilah tersangkut, atau kehilangan kendali.

Pegang power tool pada permukaan pegangan berinsulasi selama pengoperasian karena alat pemotong bisa menyentuh perkabelan yang tersembunyi. Kontak dengan kabel "beraliran listrik" dapat juga membuat komponen logam alat listrik yang terekspos menjadi "beraliran listrik", dan dapat menimbulkan sengatan listrik bagi operator.

Saat memotong, selalu gunakan pembatas atau panduan tepi lurus. Ini meningkatkan akurasi potongan dan mengurangi kemungkinan bilah tersangkut.

Selalu gunakan bilah dengan ukuran dan bentuk lubang yang benar (berlian versus bulat). Bilah yang tidak sesuai dengan perangkat keras dudukkan gergaji akan menjadi tidak sesuai, mengakibatkan kehilangan kendali.

Jangan pernah menggunakan ring atau baut bilah yang rusak atau tidak sesuai. Ring dan baut bilah dirancang secara khusus untuk gergaji Anda, untuk kinerja dan keselamatan operasional yang optimal.

PENYEBAB DAN PERINGATAN TERKAIT BANTINGAN BALIK

Bantingan balik adalah reaksi mendadak terhadap bilah gergaji yang terjepit, macet, atau tidak sejajar, menyebabkan gergaji yang tidak terkendali terangkat ke luar benda kerja dan ke arah operator.

Ketika bilah terjepit atau macet akibat penutupan garitan, bilah akan terhenti dan reaksi motor mendorong unit dengan cepat ke arah operator.

Jika bilah menjadi terpelintir atau tidak sejajar saat pemotongan, gigi di tepi belakang bilah dapat menusuk permukaan atas kayu sehingga menyebabkan bilah keluar dari garitan dan terpental ke arah operator.

Bantingan balik merupakan akibat dari penyalahgunaan gergaji dan/atau prosedur atau kondisi pengoperasian yang salah dan dapat dihindari dengan mengambil tindakan pencegahan seperti di bawah ini.

Pegang gergaji dengan kencang menggunakan kedua tangan, lalu posisikan lengan Anda agar kuat menahan kekuatan bantingan. Posisikan badan Anda di salah satu sisi bilah, namun tidak sejajar dengan bilah. Bantingan balik dapat menyebabkan gergaji terpental ke belakang, tetapi kekuatan bantingan dapat dikendalikan oleh operator, apabila tindakan pencegahan yang benar dilakukan.

Jika bilah tersangkut atau menghentikan pemotongan, lepaskan pelatuk dan jaga gergaji agar tidak bergerak sampai bilah berhenti sepenuhnya. Jangan pernah mencoba melepaskan gergaji dari benda kerja atau menarik mesin ke belakang ketika bilah masih bergerak. Upaya tersebut dapat menimbulkan bantingan balik. Periksa dan lakukan tindakan perbaikan untuk mengurangi penyebab bilah gergaji tersangkut.

Saat menyalaikan kembali gergaji pada benda kerja, sejajarkan bilah gergaji di tengah garitan supaya gigi gergaji tidak terarah ke bahan. Jika bilah gergaji tersangkut, ini dapat terpental atau terbanting balik dari benda kerja saat gergaji dinyalakan kembali.

Sangga panel besar untuk meminimalkan risiko bilah terjepit dan bantingan balik. Panel besar cenderung mengendur karena beratnya sendiri. Penyangga harus diletakkan di bawah panel pada kedua sisi, dekat garis potongan dan tepi panel.

Jangan gunakan bilah yang tumpul atau rusak. Bilah yang tumpul atau tidak dipasang dengan benar menghasilkan garitan yang tipis, menyebabkan gesekan berlebihan, bilah terjepit, dan bantingan balik.

Tuas kunci penyetel kedalaman bilah dan bevel harus rapat dan kencang sebelum melakukan pemotongan. Jika penyetel bilah geser saat pemotongan, ini dapat menyebabkan terjepit dan bantingan balik.

Berhati-hatilah saat menggergaji dinding yang ada atau area buta lainnya. Bilah yang menonjol dapat memotong benda yang dapat menyebabkan bantingan balik.

FUNGSI PENGAMAN BAWAH

Periksa pengaman bawah untuk penutupan yang benar sebelum setiap penggunaan. Jangan operasikan gergaji jika pengaman bawah tidak bergerak dengan bebas dan menutup secara instan. Jangan pernah menjepit atau mengikat pengaman bawah pada posisi terbuka. Jika bilah jatuh tanpa sengaja, pengaman bawah dapat bengkok. Naikkan pengaman bawah dengan gagang yang dapat ditarik dan pastikan pengaman dapat bergerak bebas dan tidak menyentuh bilah atau bagian lain, di semua sudut dan kedalaman pemotongan.

Periksa kinerja per pengaman bawah. Jika pengaman dan per tidak beroperasi dengan benar, keduanya perlu diservis sebelum penggunaan. Pengaman bawah dapat beroperasi dengan lambat karena bagian yang rusak, endapan bergetah, atau tumpukan kotoran.

Pengaman bawah dapat ditarik secara manual hanya untuk potongan khusus seperti "potongan lubang" dan "potongan gabungan". Naikkan pengaman bawah menggunakan gagang yang dapat ditarik dan segera setelah bilah memasuki bahan, pengaman bawah harus segera dilepaskan. Untuk penggergajian lainnya, pengaman bawah seharusnya beroperasi secara otomatis.

Selalu pastikan bahwa pengaman bawah menutupi bilah sebelum meletakkan gergaji pada meja kerja atau lantai. Bilah yang bergerak dan tidak terlindungi akan menyebabkan gergaji berjalan mundur, memotong apa pun yang menghalangi jalannya. Perhatikan waktu yang diperlukan bilah untuk berhenti setelah sakelar dilepas.

PETUNJUK KESELAMATAN DAN KERJA TAMBAHAN

Gunakan perlengkapan pelindung pribadi. Selalu gunakan pelindung mata. Perlengkapan pelindung seperti masker debu, sepatu safety anti-selip, topi keselamatan atau pelindung pendengaran yang digunakan untuk kondisi yang tepat akan mengurangi cedera pribadi.

Debu yang dihasilkan saat menggunakan produk dapat berbahaya untuk kesehatan. Jangan menghirup debu. Gunakan sistem penyerapan debu dan kenakan masker pelindung debu yang sesuai. Bersihkan debu yang menumpuk secara menyeluruh, misalnya, dengan ekstraktor debu.

Kecepatan terukur aksesoris tersebut setidaknya harus sama dengan kecepatan maksimum yang ditandai di alat listrik ini. Aksesoris yang bekerja lebih cepat dari kecepatan terukurnya dapat rusak dan terlepas.

Pilihlah mata gergaji yang cocok untuk material yang sedang dipotong.

Gunakan hanya bilah pengerjaan kayu yang ditentukan dalam manual ini, yang mematuhi EN 847-1.

Jangan gunakan bilah gergaji yang tidak sesuai dengan data utama pada petunjuk penggunaan ini.

Jangan gunakan mata gerinda bersamaan dengan produk.

Lepaskan paket baterai sebelum memulai pekerjaan apa pun pada produk.

Pelindung harus dipasang dengan benar selama penggunaan. Jangan mengoperasikan produk tanpa pelindung (guard) yang terpasang. Mengoperasikan produk tanpa pelindung akan menyebabkan cedera parah.

Jika penutup bilah gergaji retak atau rusak, segera minta kepada bengkel spesialis resmi untuk diganti. Produk tidak boleh dioperasikan jika penutup mata gergaji rusak atau hilang.

Jepit bahan kerja Anda dengan perangkat jepit. Bahan kerja yang tidak dijepit dapat menyebabkan cedera dan kerusakan parah.

Jangan membuat tombol on/off terpasang terus pada posisi "on" saat menggunakan gergaji dengan tangan.

Sesuaikan kecepatan putaran gergaji untuk menghindari ujung gergaji yang terlalu panas sehingga dapat melelehkan plastik yang sedang dipotong.

⚠ PERINGATAN! Jangan pernah mengoperasikan produk saat pelindung dan wadah serpihan tidak terpasang. Dapat terjadi cedera serius. Untuk mengurangi risiko cedera, kenakan kacamata pengaman atau kacamata dengan pelindung samping saat melepas wadah serpihan. Serpihan dan kotoran dapat melayang ke wajah Anda.

KONDISI PENGGUNAAN KHUSUS

Gergaji putar nirkabel dapat memotong secara memanjang dan miring pada kayu secara akurat.

Jangan menggunakan produk untuk tujuan lain.

RISIKO RESIDU

Bahkan ketika produk digunakan seperti yang ditentukan, masih tidak mungkin untuk sepenuhnya menghilangkan faktor risiko residual tertentu. Bahaya mungkin timbul selama penggunaan produk dan operator harus memberikan perhatian khusus untuk menghindari hal-hal berikut:

- Cedera disebabkan oleh kontak dengan bilah
 - Bilahnya sangat tajam dan akan menjadi panas selama penggunaan. Gunakan sarung tangan saat mengganti bilah gergaji. Jauhkan tangan dari area pemotongan setiap saat. Jangan pernah memegang benda kerja di tangan Anda atau di atas kaki Anda selama memotong. Amankan benda yang sedang dikerjakan dengan klem, jika memungkinkan.
- cedera yang disebabkan oleh vibrasi
 - Pegang produk dengan menggunakan tuas yang disediakan dan batasi waktu kerja dan paparan.
- cedera pendengaran yang disebabkan paparan terhadap suara
 - Gunakan pelindung telinga dan batasi paparan.
- Cedera akibat terdampar serpihan
 - Gunakan pelindung mata, celana panjang tebal, sarung tangan dan alas kaki yang kuat setiap saat.

- bahaya kesehatan yang disebabkan oleh menghirup debu beracun
 - Pakai masker pelindung debu yang tepat.

PETUNJUK KESELAMATAN BATERAI

PENGGUNAAN BATERAI LI-ION

Jangan membuang baterai bekas di tempat sampah rumah tangga dan jangan membakarnya. Distributor MILWAUKEE menawarkan unit mengambil baterai lama guna melindungi lingkungan kita.

Jangan simpan baterai bersama benda logam (risiko hubungan singkat).

Hanya gunakan pengisi daya System M18 untuk mengisi daya paket baterai System M18. Jangan menggunakan unit baterai dari sistem lain.

Jangan sekali-kali membuka unit baterai dan pengisi daya serta hanya simpan di tempat kering. Jaga kemasan baterai dan pengisi daya tetap kering di sepanjang waktu.

Asam baterai dapat merembes dari baterai yang rusak akibat beban atau suhu yang ekstrem. Jika asam baterai mengenai anda, segera cuci dengan sabun dan air. Jika mengenai mata, bilas sebanyak banyaknya selama setidaknya 10 menit dan segera dapatkan penanganan medis.

Tidak ada komponen logam yang diperbolehkan memasuki kompartemen baterai pada pengisi daya (risiko arus pendek).

Unit baterai yang tidak digunakan selama beberapa waktu harus diisi ulang sebelum digunakan.

Suhu yang melebihi 50 °C akan mengurangi kinerja paket baterai. Hindari paparan berkepanjangan terhadap panas atau sinar matahari (risiko panas berlebihan).

Kontak pengisi daya dan paket baterai harus dijaga kebersihannya.

Untuk masa pemakaian optimal, paket baterai harus diisi dayanya hingga penuh setelah digunakan.

⚠ PERINGATAN! Untuk mengurangi risiko kebakaran, cedera pribadi, dan kerusakan produk akibat hubungan arus pendek, jangan pernah merendam alat, baterai atau charger anda dalam cairan atau membiarkan cairan mengalir di dalamnya. Cairan korosif atau konduktif, seperti air laut, bahan kimia industri tertentu, dan produk pemutih atau yang mengandung pemutih, dan sebagainya, dapat menyebabkan hubungan arus pendek.

Untuk memaksimalkan masa pemakaian baterai, lepaskan paket baterai dari pengisi daya setelah terisi sepenuhnya.

Untuk penyimpanan paket baterai lebih dari 30 hari:

- Simpan paket baterai jika suhu berada di bawah 27 °C dan jauhkan dari kelembapan.
- Simpan paket baterai dalam kondisi terisi dayanya 30% – 50%.
- Setelah enam bulan penyimpanan, isi daya baterai seperti biasa.

PERLINDUNGAN BATERAI UNTUK BATERAI LI-ION

Dalam torsi yang sangat tinggi, mengikat, mogok dan situasi arus pendek yang menyebabkan tarikan arus tinggi, alat akan bergetar selama sekitar 5 detik, pengukur bahan bakar akan berkedip, dan kemudian alat akan padam. Untuk menyetel ulang, lepaskan pemacu.

Dalam kondisi ekstrem, suhu internal baterai dapat meningkat. Jika hal ini terjadi, pengukur bahan bakar akan berkedip sampai baterai mendingin. Ketika lampu padam, lanjutkan pekerjaan.

PEMINDAHAN BATERAI LI-ION

Baterai litium-ion tunduk pada persyaratan legislasi barang berbahaya.

Pengangkutan baterai ini harus dilakukan sesuai regulasi dan peraturan daerah, nasional, dan internasional.

Pengguna dapat membawa baterai di jalan tanpa peraturan lebih lanjut.

Pengangkutan komersial baterai lithium-ion oleh pihak ketiga harus tunduk pada Peraturan terkait Barang Berbahaya. Persiapan pengangkutan dan pengangkutan harus dilakukan oleh orang yang terlatih dan prosesnya harus didampingi oleh pakar yang terkait.

Ketika mengangkat baterai:

- Pastikan terminal kontak baterai terlindungi dan terinsulasi untuk mencegah terjadinya korsleting.
- Pastikan bahwa unit baterai aman dari gerakan dalam pengemasan.
- Jangan mengangkat baterai yang retak atau bocor.
- Tanyakan kepada perusahaan ekspedisi untuk mendapatkan saran lebih lanjut.

REM ELEKTRIK

Rem listrik akan berfungsi saat pelatuk sakelar dilepas, sehingga menyebabkan bilah berhenti dan memungkinkan Anda melanjutkan pekerjaan. Secara umum, bilah gergaji akan berhenti dalam 2 detik. Namun, mungkin akan terdapat jeda antara waktu saat pelatuk sakelar dilepas dan waktu rem mulai berfungsi. Sesekali, rem bisa jadi tidak bekerja sama sekali. Jika rem terlambat berhenti, produk harus diservis oleh pusat servis resmi MILWAUKEE.

Selalu tunggu hingga bilah berhenti sepenuhnya sebelum melepaskan produk dari benda yang sedang dikerjakan.

PERAWATAN

Pastikan untuk melepaskan unit baterai dari produk sebelum memasang atau melepaskan bilah gergaji.

Bersihkan produk dan sistem pelindung dengan kain kering. Pelarut dan bahan pembersih tertentu berbahaya untuk plastik dan bagian terisolasi lainnya. Jaga gagang peralatan tetap bersih, kering, dan bebas dari tumpahan, oli atau gemuk. Periksa fungsi pelindung. Pemeliharaan dan pembersihan rutin memberikan masa penggunaan yang panjang dan penanganan yang aman.

Jaga agar lubang ventilasi produk tetap bersih setiap waktu.

Bersihkan debu secara teratur. Bersihkan debu hasil penggergajian yang telah terkumpul di dalam produk untuk menghindari risiko kebakaran.

Jaga pengaman bilah agar terbebas dari akumulasi serbuk gergaji dan kotoran. Produk dapat beroperasi dengan lamban karena tumpukan kotoran, yang dapat menyebabkan cedera serius. Kenakan alat pelindung diri yang sesuai saat membersihkan area pengaman bilah dengan menggunakan udara terkompresi.

Gunakan hanya aksesoris dan suku cadang MILWAUKEE. Jika komponen yang belum dijelaskan harus diganti, hubungi salah satu pusat servis MILWAUKEE kami (lihat daftar alamat pusat servis atau garansi kami).

Jika diperlukan, gambar produk yang diperbesar dapat dipesan. Sebutkan tipe produk dan nomor seri yang tertera pada label, dan pesanlah gambarnya pada agen layanan setempat.

SIMBOL



Baca instruksi dengan saksama sebelum menyalakan produk.



PERHATIAN! PERINGATAN! BAHAYA!



Lepaskan paket baterai sebelum memulai pekerjaan apa pun pada produk.



Jangan paksa.



Selalu pakai kacamata goggle saat menggunakan produk ini.



Kenakan pelindung telinga.



Pakai masker pelindung debu yang tepat.



Pakai sarung tangan.



Arah rotasi



Aksesoris - Tidak disertakan di dalam peralatan standar, tersedia sebagai aksesoris.

n_0

Kecepatan tanpa beban

V

Voltase



Arus searah



Jangan membuang limbah baterai, limbah peralatan listrik dan elektronik sebagai limbah kota yang tidak disortir. Limbah baterai dan limbah peralatan listrik dan elektronik harus dikumpulkan secara terpisah. Baterai bekas, aki bekas, dan lampu harus dilepaskan dari produk. Hubungi otoritas setempat atau penjual untuk mendapatkan informasi lokasi daur ulang dan tempat pengumpulan. Menurut peraturan setempat, penjual dapat diwajibkan untuk menerima kembali baterai bekas dan limbah peralatan listrik dan elektronik tanpa mengenakan biaya. Kontribusi Anda untuk menggunakan kembali dan mendaur ulang limbah baterai dan limbah peralatan listrik dan elektronik membantu mengurangi permintaan bahan baku. Baterai bekas, khususnya yang mengandung litium, serta perlengkapan kelistrikan dan elektronik bekas yang mengandung material bernilai dan dapat didaur ulang, yang dapat merusak lingkungan dan kesehatan manusia jika tidak dibuang dengan cara yang ramah lingkungan. Hapus data personel dari peralatan yang dibuang, jika ada.

THÔNG SỐ KỸ THUẬT	M18 FCS66GR3
Loại	Máy cưa đĩa không dây
Điện áp pin	18 V ---
Tốc độ không tải	6000 min ⁻¹
Đường kính lưỡi cưa × đường kính lỗ	190 mm × 25,4/20 mm
Độ dày lưỡi cưa - tấm/rãnh cắt	1,2 mm / 1,8 mm
Răng lưỡi cưa	IP 24
Thang đo góc xiên	0° – 50°
Độ sâu cắt tối đa tại 0° / 45°	68 mm / 53 mm
Trọng lượng theo EPTA-Procedure 01/2014 (Li-ion 2,0 Ah – 12,0 Ah)	4,2 kg – 5,7 kg
Nhiệt độ môi trường khuyến nghị khi vận hành	-18 – +50 °C
Loại pin được khuyến nghị	M18B..., M18 HB..., M18 FB...
Bộ sạc được khuyến nghị	M12-18..., M18 DFC, M18 PC6, M18 DBSC

Thông tin về tiếng ồn

Giá trị phát sinh tiếng ồn được xác định theo tiêu chuẩn EN 62841.

Cấp độ áp suất âm thanh trọng số A	100,7 dB(A)
Độ bất định K	3 dB(A)
Cấp độ công suất âm thanh trọng số A	108,7 dB(A)
Độ bất định K	3 dB(A)

Luôn đeo thiết bị bảo vệ tai.

Thông tin về độ rung

Tổng giá trị rung chấn (tổng véc-tơ theo ba trục) được xác định theo tiêu chuẩn EN 62841.

Giá trị phát thải rung chấn a_n / Độ bất định K

Cưa gỗ	2,58 m/s ²
Độ bất định K	1,50 m/s ²
Cưa kim loại	2,41 m/s ²
Độ bất định K	1,50 m/s ²

CẢNH BÁO!

Tổng giá trị mức độ rung chấn và giá trị phát thải tiếng ồn được công bố được đưa ra trong hướng dẫn sử dụng này đã được đo theo thử nghiệm chuẩn hóa đã cho có thể được sử dụng để so sánh với công cụ khác. Đây là những giá trị dùng để đánh giá sơ bộ về mức độ tiếp xúc với tiếng ồn.

Các giá trị phát thải tiếng ồn và rung chấn được công bố thể hiện cho ứng dụng chính của công cụ. Tuy nhiên, nếu sản phẩm được sử dụng cho các ứng dụng khác nhau, với các phụ kiện khác nhau hoặc được bảo dưỡng kém, thì mức độ phát rung chấn và tiếng ồn có thể khác nhau. Những điều kiện này có thể làm tăng đáng kể mức độ tiếp xúc với tiếng ồn trong tổng thời gian làm việc.

Việc ước tính mức độ tiếp xúc với tiếng ồn và rung chấn cần tính đến số lần công cụ được tắt hoặc khi nó đang chạy không tải. Những điều kiện này có thể làm giảm đáng kể mức độ tiếp xúc với tiếng ồn trong tổng thời gian làm việc.

Xác định các biện pháp an toàn bổ sung để bảo vệ người vận hành khỏi các tác động của rung chấn và tiếng ồn, như bảo trì công cụ và các phụ kiện, giữ cho tay ấm (trong trường hợp rung chấn), sắp xếp các quy trình làm việc.

⚠ CẢNH BÁO! Hãy đọc tất cả các cảnh báo an toàn, hướng dẫn, hình minh họa và thông số kỹ thuật đi kèm dụng cụ có động cơ này. Không tuân thủ những cảnh báo và chỉ dẫn có thể dẫn đến giết điện, hỏa hoạn và/hoặc chấn thương nghiêm trọng.

Lưu giữ lại tất cả các cảnh báo và hướng dẫn để tham khảo trong tương lai.

CẢNH BÁO AN TOÀN VỀ MÁY CỬA ĐĨA

QUY TRÌNH CẮT

⚠ NGUY HIỂM! Đề tay tránh xa khu vực cắt và lưỡi cửa. Đề tay kia lên tay cầm phụ trợ hoặc vô động cơ. Nếu cả hai tay đều cầm cửa thì lưỡi cửa không thể cắt vào.

Không chạm vào bên dưới phôi. Tấm chắn không thể bảo vệ bạn khỏi lưỡi cửa bên dưới phôi.

Điều chỉnh độ sâu cắt theo độ dày của phôi. Phải nhìn thấy một phần của toàn bộ rãnh cửa bên dưới phôi.

Không được cầm phôi trong tay hoặc để ngang chân trong khi cắt. Cố định phôi vào một bề mặt chắc chắn. Điều quan trọng là phải đỡ phôi đúng cách để giảm thiểu việc tiếp xúc với cơ thể, khả năng lưỡi cửa bị kẹt vào phôi hoặc tình trạng mất kiểm soát.

Cầm dụng cụ điện tại các bề mặt tay cầm cách điện, khi thực hiện thao tác mà dụng cụ cắt có thể tiếp xúc với hệ thống dây điện ẩn. Khi tiếp xúc với dây dẫn "có điện", các bộ phận kim loại bị hở của dụng cụ điện này cũng sẽ "tích điện" và có thể khiến người vận hành bị điện giật.

Khi xẻ, hãy luôn dùng thanh cữ hoặc thanh dẫn hướng thước thẳng. Điều này giúp cải thiện độ chính xác của thao tác cắt và giảm khả năng lưỡi cửa bị kẹt vào phôi.

Luôn sử dụng các lưỡi cửa có kích thước và hình dạng chính xác (hình thoi so với hình tròn) của các lỗ trực. Những lưỡi cửa không khớp với phần cứng lắp ráp của máy cửa sẽ đi lệch tâm, gây mất kiểm soát.

Không được dùng vòng đệm/bu lông của lưỡi cửa bị hỏng hoặc không chính xác. Vòng đệm và bu lông của lưỡi cửa được thiết kế riêng cho máy cửa của bạn để mang lại hiệu suất tối ưu và an toàn khi vận hành.

NGUYÊN NHÂN GÂY GIẬT NGƯỢC VÀ CÁC CẢNH BÁO LIÊN QUAN

Giật ngược là phản ứng đột ngột khi lưỡi cửa bị kẹt, kẹt hoặc lệch, khiến cho máy cửa mất kiểm soát bị nâng lên và bật ra khỏi phôi rồi hướng về phía người vận hành.

Khi lưỡi cửa bị kẹt hoặc kẹt chặt do rãnh cắt đóng lại, lưỡi cửa dừng lại và phản ứng của động cơ sẽ đẩy nhanh thiết bị ngược về phía người vận hành.

Nếu lưỡi cửa bị xoắn hoặc lệch khi cắt, các răng ở mép sau của lưỡi cửa có thể cắm vào bề mặt trên cùng của gỗ khiến lưỡi cửa trượt ra khỏi rãnh cắt và bật ngược về phía người vận hành.

Nguyên nhân gây ra hiện tượng giật ngược là do sử dụng máy cửa sai cách và/hoặc các quy trình/điều kiện vận hành không chính xác. Có thể tránh được tình trạng này nếu thực hiện các biện pháp phòng ngừa thích hợp như đưa ra dưới đây.

Giữ chặt máy cửa bằng cả hai tay và đặt cánh tay ở vị trí sao cho chịu được lực giật ngược. Đứng hoặc ngồi ở một trong hai bên lưỡi cửa chứ không thẳng hàng với lưỡi cửa. Lực giật ngược có thể khiến máy cửa bật ngược lại, nhưng người vận hành có thể kiểm soát được lực giật ngược nếu thực hiện các biện pháp phòng ngừa thích hợp.

Khi lưỡi cửa bị kẹt hoặc khi máy đột ngột ngừng cắt vì lý do nào đó, hãy nhả bộ khởi động và giữ máy ở nguyên vị trí cho đến khi lưỡi cửa dừng hẳn. Không được cố gắng tháo máy cửa ra khỏi phôi hoặc kéo máy cửa về phía sau trong khi lưỡi cửa

đang chuyển động, nếu không, hiện tượng giật ngược có thể xảy ra. Kiểm tra và có biện pháp điều chỉnh để loại bỏ nguyên nhân gây kẹt lưỡi cửa.

Khi khởi động lại máy cửa trong phôi, hãy căn lưỡi cửa vào giữa rãnh cắt sao cho rãnh cửa không dính vào vật liệu. Nếu lưỡi cửa bị kẹt thì lưỡi cửa có thể di chuyển lên hoặc bật ngược ra khỏi phôi khi khởi động lại máy cửa.

Đỡ các tấm lớn để giảm thiểu nguy cơ lưỡi cửa bị kẹt và bật ngược. Các tấm lớn có xu hướng bị chùng xuống do trọng lượng của chính các tấm này. Phải đặt các giá đỡ bên dưới các tấm đó ở cả hai bên, gần đường cắt và gần mép tấm.

Không dùng lưỡi cửa bị cùn hoặc bị hỏng. Lưỡi cửa không được mài sắc hoặc đặt không đúng cách sẽ hình thành rãnh cắt hẹp, tạo ra quá nhiều ma sát khiến lưỡi cửa bị kẹt và giật ngược.

Cần khóa điều chỉnh độ sâu lưỡi cửa và góc xiên phải được siết chặt và cố định trước khi cắt. Nếu điều chỉnh lưỡi cửa trong khi cắt thì có thể khiến lưỡi cửa bị kẹt và giật ngược.

Hãy hết sức thận trọng khi cửa vào các bức tường hiện có hoặc các vùng điểm mù khác. Lưỡi cửa nhô ra có thể cắt các vật thể, từ đó gây ra hiện tượng giật ngược.

CHỨC NĂNG CỦA TẤM CHẤN DƯỚI

Kiểm tra tấm chấn dưới xem có đồng đúng cách hay không trước mỗi lần sử dụng. Không vận hành máy cửa nếu tấm chấn dưới không di chuyển tự do và đóng lại ngay lập tức. **Không được kẹp hoặc buộc tấm chấn dưới vào vị trí mở.** Nếu vô tình làm rơi máy cửa, tấm chấn dưới có thể bị cong. Dùng tay cầm rút lại để nâng tấm chấn dưới và đảm bảo tấm chấn di chuyển tự do, đồng thời không chạm vào lưỡi cửa hoặc bất kỳ bộ phận nào khác, ở mọi góc và độ sâu cắt.

Kiểm tra hoạt động của lò xo tấm chấn dưới. Nếu tấm chấn và lò xo không hoạt động bình thường thì phải bảo dưỡng trước khi sử dụng. Tấm chấn dưới có thể hoạt động chậm chạp do các bộ phận bị hư hỏng, cặn bám dính hoặc mảnh vụn tích tụ.

Chỉ có thể rút lại tấm chấn dưới theo cách thủ công đối với các vít cắt đặc biệt như "cắt chìm" và "cắt ghé". Dùng tay cầm rút lại để nâng tấm chấn dưới và phải thả tấm chấn dưới ra ngay khi lưỡi cửa đi vào vật liệu. Đối với tất cả các loại cửa khác, tấm chấn dưới sẽ hoạt động tự động.

Luôn quan sát xem tấm chấn dưới có thể lưỡi cửa hay không trước khi đặt máy cửa xuống bệ ghế hoặc sàn. Một lưỡi cửa trượt, không có tấm bảo vệ sẽ khiến máy cửa lùi về phía sau và cắt bất cứ thứ gì trên đường đi của máy. Lưu ý thời gian cần thiết để lưỡi cửa dừng lại sau khi nhả công tắc.

HƯỚNG DẪN AN TOÀN VÀ HOẠT ĐỘNG BỔ SUNG

Sử dụng thiết bị bảo hộ cá nhân. Luôn đeo kính bảo hộ. Sử dụng các thiết bị bảo hộ như mặt nạ chống bụi, giày an toàn chống trượt, mũ bảo hộ lao động hoặc dụng cụ bảo vệ thính giác trong những điều kiện thích hợp sẽ giúp giảm thương tích cá nhân.

Bụi sinh ra khi sử dụng sản phẩm có thể gây hại cho sức khỏe. Không hít bụi. Sử dụng hệ thống hút bụi và đeo mặt nạ chống bụi phù hợp. Hút sạch kỹ bụi tản tích tụ (ví dụ: dùng máy hút bụi).

Tốc độ định mức tối thiểu của phụ kiện phải bằng với tốc độ tối đa được ghi trên máy công cụ. Các phụ kiện chạy nhanh hơn tốc độ định mức của chúng có thể bị vỡ và bắn mảnh.

Cần chọn một lưỡi cửa phù hợp với vật liệu được cắt.

Chỉ sử dụng các lưỡi cửa gỗ được chỉ định trong sách hướng dẫn này, tuân thủ EN 847-1.

Không dùng lưỡi cửa không tương ứng với dữ liệu chính được nêu trong hướng dẫn sử dụng này.

Không sử dụng đĩa mài mòn cùng với sản phẩm.

Tháo pin trước khi bắt đầu thao tác với sản phẩm.

Tấm chắn phải được gắn đúng cách trong quá trình sử dụng. Không vận hành mà không có tấm chắn tại chỗ. Vận hành sản phẩm mà không có tấm chắn sẽ gây ra thương tích nghiêm trọng.

Nếu nắp lưới cửa bị nứt hoặc bị vỡ, hãy đưa đến xưởng sửa chữa được ủy quyền để thay thế ngay lập tức. Không được vận hành sản phẩm nếu bọc lưới cửa bị hỏng hoặc không có.

Kẹp phối gia công của bạn bằng thiết bị kẹp. Những phối gia công không được kẹp có thể gây ra chấn thương và hư hỏng nặng.

Không cố định công tắc bật/tắt ở vị trí "bật" khi sử dụng sản phẩm ở chế độ cầm tay.

Điều chỉnh tốc độ cấp liệu để tránh làm đầu lưỡi cửa quá nóng và tránh làm phối gia công tan chảy khi cắt nhựa.

⚠ CẢNH BÁO! Không bao giờ vận hành sản phẩm khi chưa lắp các tấm chắn và hộp đựng mùn cửa. Chấn thương nghiêm trọng có thể xảy ra. Để giảm nguy cơ chấn thương, hãy đeo kính bảo hộ hoặc kính có lá chắn ở bên khi tháo hộp đựng mùn cửa. Vỏ bảo và mảnh vụn có thể bay vào mặt bạn.

ĐIỀU KIỆN SỬ DỤNG CỤ THỂ

Máy cửa đĩa không dây có thể cắt theo chiều dọc và vát chính xác trên gỗ.

Không sử dụng sản phẩm cho bất kỳ mục đích nào khác.

RỦI RO CÓ HỮU

Ngay cả khi sử dụng sản phẩm theo chỉ định, thì vẫn không thể loại bỏ hoàn toàn các yếu tố rủi ro còn lại. Các mối nguy hiểm sau đây có thể phát sinh khi sử dụng sản phẩm và người vận hành cần đặc biệt chú ý để tránh những điều sau đây:

- thương tích do tiếp xúc với các lưỡi cắt
 - Lưỡi cửa rất sắc và sẽ nóng lên trong khi sử dụng. Hãy đeo găng tay khi thay lưỡi cửa. Luôn để tay tránh xa khu vực cắt. Không được cầm phối trong tay hoặc để ngang chân trong khi cắt. Kẹp phối bắt cứ khi nào có thể.
- chấn thương do rung động
 - Giữ sản phẩm bằng tay cầm được chỉ định và hạn chế thời gian làm việc và tiếp xúc.
- tổn thương thính giác do tiếp xúc với tiếng ồn
 - Đeo đồ bảo vệ tai và hạn chế tiếp xúc.
- Bị thương do mảnh vỡ bay ra
 - Luôn đeo đồ bảo vệ mắt, mặc quần dài dày, đeo găng tay và đi giày dép vừa vặn.
- mối nguy hiểm cho sức khỏe do hít phải bụi độc hại
 - Sử dụng khẩu trang chống bụi phù hợp.

HƯỚNG DẪN AN TOÀN CHO PIN

SỬ DỤNG PIN LI-ION

Không thải bỏ các pin cũ theo rác thải sinh hoạt hoặc đốt chúng. Các nhà phân phối MILWAUKEE để nhận được lấy lại các pin cũ để bảo vệ môi trường của chúng ta.

Không bảo quản pin cùng với vật dụng kim loại (nguy cơ ngắn mạch).

Chỉ sử dụng các bộ sạc M18 để sạc pin M18. Không sử dụng pin từ các hệ thống khác.

Không bao giờ phá vỡ các pin và bộ sạc, và chỉ bảo quản chúng trong các phòng khô. Luôn đảm bảo các pin và bộ sạc được khô.

Axit trong pin có thể rò rỉ từ pin bị hư hại trong điều kiện nhiệt độ khắc nghiệt hoặc tải quá nặng. Nếu bị tiếp xúc với axit trong pin, hãy rửa ngay lập tức bằng xà phòng và nước. Trong trường hợp axit tiếp xúc với mắt, hãy rửa sạch trong ít nhất 10 phút và ngay lập tức đi khám bác sĩ.

Không để các chi tiết kim loại đi vào phần chứa pin của bộ sạc (nguy cơ ngắn mạch).

Các pin chưa được sử dụng trong một thời gian dài nên được sạc lại trước khi sử dụng.

Nhiệt độ vượt quá 50 °C làm giảm hiệu năng của pin. Tránh tiếp xúc trong thời gian dài với nhiệt độ hoặc ánh nắng mặt trời (nguy cơ quá nhiệt).

Các điểm tiếp xúc của bộ sạc và bộ pin phải được giữ sạch sẽ.

Đề có tuổi thọ tối ưu, các pin phải được sạc đầy sau mỗi lần sử dụng.

⚠ CẢNH BÁO! Để giảm nguy cơ hỏa hoạn, chấn thương cá nhân và hư hại sản phẩm do ngắn mạch, không bao giờ nhúng sản phẩm, pin hay bộ sạc trong chất lỏng hoặc cho phép chất lỏng xâm nhập vào chúng. Các chất lỏng ăn mòn hoặc dẫn điện, ví dụ như nước biển, muối có hóa chất công nghiệp, và chất tẩy hoặc sản phẩm chứa chất tẩy, v.v., đều có thể gây ngắn mạch.

Để đảm bảo thời lượng pin lâu nhất có thể, hãy rút pin ra khỏi bộ sạc sau khi nó được sạc đầy.

Đề bảo quản pin lâu hơn 30 ngày:

- Bảo quản pin ở nơi khô, có nhiệt độ ổn định 27 °C.
- Bảo quản pin ở mức sạc 30% – 50%.
- Sau mỗi 6 tháng bảo quản, sạc pin như bình thường.

BẢO VỆ PIN CHO PIN LI-ION

Trong các tình huống mômen xoắn cao, kẹp, kẹt và ngắn mạch có thể tăng cường dòng điện, sản phẩm sẽ rung khoảng 5 giây, đồng hồ xăng sẽ nhấp sáng, và sau đó sản phẩm bị tắt. Để đặt lại, hãy nhả cò ra.

Trong những trường hợp khắc nghiệt, nhiệt độ bên trong bộ pin có thể tăng quá cao. Nếu điều này xảy ra, đồng hồ xăng sẽ nhấp sáng cho đến khi bộ pin nguội bớt. Sau khi đèn tắt, tiếp tục làm việc.

VẬN CHUYỂN PIN LI-ION

Các bình pin lithium-ion cần tuân thủ Luật về Hàng hóa Nguy hiểm.

Việc vận chuyển các pin này phải được thực hiện theo các điều kiện và quy định của địa phương, quốc gia và quốc tế.

Người dùng có thể vận chuyển pin bằng đường bộ mà không có yêu cầu nào khác.

Việc vận chuyển thương mại pin lithium-ion bởi các bên thứ ba cần tuân thủ quy định về Hàng hóa Nguy hiểm. Việc chuẩn bị vận chuyển và vận chuyển cần được thực hiện bởi những người được đào tạo phù hợp và quy trình này phải được giám sát bởi các chuyên gia trong ngành.

Khi vận chuyển pin:

- Đảm bảo các đầu tiếp xúc của pin được bảo vệ và cách điện để ngăn ngắn mạch.
- Đảm bảo pin được cố định để không di chuyển trong bao bì.
- Không vận chuyển các pin bị nứt hoặc rò rỉ.
- Kiểm tra với công ty chuyển tiếp để được tư vấn thêm.

PHANH ĐIỆN

Phanh điện sẽ gài khi nhả bộ khởi động chuyển mạch, khiến lưỡi cửa dừng lại và cho phép bạn tiếp tục làm việc. Thông thường, lưỡi cửa sẽ dừng trong 2 giây. Tuy nhiên, có thể có độ trễ giữa thời điểm nhả bộ khởi động chuyển mạch và thời điểm gài phanh. Đôi khi, phanh có thể không được kích hoạt. Nếu phanh bị trượt thường xuyên thì cần phải đưa sản phẩm đến trung tâm dịch vụ được ủy quyền của MILWAUKEE để bảo dưỡng.

Luôn chò lưỡi cửa dừng hẳn trước khi tháo sản phẩm ra khỏi phối.

BẢO TRÌ

Hãy nhớ tháo pin ra khỏi sản phẩm trước khi lắp hoặc tháo lưới cửa.

Vệ sinh sản phẩm và hệ thống tấm chắn bằng khăn khô. Một số dung dịch và chất vệ sinh nhất định có thể gây hại cho nhựa và các bộ phận cách điện khác. Luôn giữ cho tay cầm sản phẩm được sạch, khô và không dính dầu mỡ. Kiểm tra chức năng của các tấm chắn. Việc bảo trì và vệ sinh thường xuyên sẽ đảm bảo tuổi thọ lâu dài và xử lý an toàn cho sản phẩm.

Luôn giữ cho các khe thông gió của sản phẩm thông thoáng.

Thường xuyên loại bỏ bụi. Loại bỏ mùn cửa tích tụ bên trong sản phẩm để tránh nguy cơ cháy nổ.

Giữ cho tấm chắn lưới cửa không có mùn cửa và mảnh vụn tích tụ. Sản phẩm có thể hoạt động chậm chạp do có nhiều mảnh vụn tích tụ, từ đó có thể dẫn đến thương tích nghiêm trọng. Mang thiết bị bảo hộ cá nhân thích hợp trong khi làm sạch tấm chắn lưới cửa bằng khí nén.

Chỉ sử dụng các phụ kiện và phụ tùng thay thế của MILWAUKEE. Nếu cần thay thế các thành phần không được mô tả, vui lòng liên hệ với một trong các trung tâm bảo dưỡng MILWAUKEE của chúng tôi (xem danh sách địa chỉ bảo hành hoặc bảo dưỡng của chúng tôi).

Nếu cần, có thể yêu cầu xem hình vẽ mô tả chi tiết các bộ phận. Vui lòng nêu rõ số sê-ri cũng như loại sản phẩm được in trên nhãn và yêu cầu bản vẽ tại các trung tâm dịch vụ địa phương của bạn.

KÝ HIỆU



Đọc kỹ hướng dẫn trước khi khởi động sản phẩm.



CHÚ Ý! CẢNH BÁO! NGUY HIỂM!



Tháo pin trước khi bắt đầu thao tác với sản phẩm.



Không sử dụng lực.



Luôn đeo kính bảo vệ khi sử dụng sản phẩm.



Đeo thiết bị bảo vệ tai.



Sử dụng khẩu trang chống bụi phù hợp.



Đeo găng tay.



Hướng xoay



Phụ kiện - Không có ở thiết bị tiêu chuẩn; được cung cấp dưới dạng phụ kiện.

n_0

Tốc độ không tải

V


Điện áp



Dòng điện một chiều



Không vứt bỏ pin thải, thiết bị điện và điện tử thải cùng với rác thải đô thị chưa được phân loại. Pin thải và thiết bị điện và điện tử thải phải được thu gom riêng. Phải tháo pin thải, bình điện phé thải và nguồn sáng khỏi thiết bị. Kiểm tra với chính quyền địa phương hoặc nhà bán lẻ của bạn để được tư vấn về tái chế và điểm thu gom. Theo quy định của địa phương, các nhà bán lẻ có thể có nghĩa vụ nhận lại pin thải và thiết bị điện và điện tử thải miễn phí. Sự đóng góp của bạn trong việc tái sử dụng và tái chế pin thải và thiết bị điện và điện tử thải sẽ giúp giảm nhu cầu về nguyên liệu thô. Pin thải, đặc biệt chứa lithium và rác thải thiết bị điện và điện tử chứa các chất liệu có giá trị và có thể tái chế, có thể tác động xấu đến môi trường và sức khỏe con người nếu không được thải bỏ theo cách tương thích với môi trường. Xóa dữ liệu cá nhân khỏi thiết bị thải, nếu có.

技術データ	M18 FCS66GR3
タイプ	コードレス丸鋸
バッテリー電圧	18 V 
無負荷回転数	6000 min ⁻¹
鋸刃 直径 × 穴径	190 mm × 25.4/20 mm
鋸刃厚さ - プレート/切り口	1.2 mm / 1.8 mm
鋸歯	24
傾斜角度	0° - 50°
0° / 45° での最大切削深さ	68 mm / 53 mm
本体重量(リチウムイオン2.0 Ah~12.0 Ahバッテリー装着時)(EPTA 01/2014準拠)	4.2 kg - 5.7 kg
推奨周囲動作温度	-18 - +50 °C
推奨バッテリータイプ	M18B..., M18 HB..., M18 FB...
推奨充電器	M12-18..., M18 DFC, M18 PC6, M18 DBSC
騒音情報	
騒音放射値(EN 62841に従い測定)	
A特性・音圧レベル	100.7 dB(A)
不確かさ K	3 dB(A)
A特性音響パワーレベル	108.7 dB(A)
不確かさ K	3 dB(A)
必ずイヤープロテクターを使用してください。	
振動情報	
総振動値(3軸のベクトル和)(EN 62841に従い測定)	
振動放出値 a _h / 不確かさ K	
木材の鋸引き	2.58 m/s ²
不確かさ K	1.50 m/s ²
金属のこぎり	2.41 m/s ²
不確かさ K	1.50 m/s ²

警告!

本情報シートに記載されている振動/騒音放射レベルは、の所与の標準検査に従って測定されたものであり、ある工具と別の工具を比較するために使用することができます。これらは、曝露の予備評価に使用できます。

公表された振動・騒音値は、工具の主な用途を表しています。ただし、工具が異なる用途に使用され、付属品が異なっている、メンテナンスが不十分であるなどの場合は、振動/騒音放射が異なる場合があります。これらの条件は、総作業期間にわたって曝露レベルを大幅に増加させる可能性があります。

曝露する振動・騒音値の概算を出す場合、工具のスイッチがオフになっている時間、または工具がアイドリング中である時間も考慮する必要があります。これらの条件は、総作業期間にわたって曝露レベルを大幅に低下させる可能性があります。

振動/騒音の影響からオペレーターを保護するために、次のような追加安全対策を確認してください: 工具と付属品のメンテナンスを行う、手を温かく保つ、作業パターンを整理する。

▲ 警告！本電動工具と同梱されているすべての安全警告、指示、図、仕様をお読みください。下記のすべての指示に従わない場合、感電や火災が発生したり、重傷を負う可能性があります。

今後の参考のために、すべての警告と指示を保存します。

丸鋸 安全上の重要事項

切断手順

▲ 危険！切断部や鋸刃に手を近づけないでください。片方の手は補助ハンドル、またはモーターハウジングに置いてください。機器を両手で握ることで、鋸刃による切断を防止します。

部材の下に手を入れないでください。ガードでは部材の下側に出た鋸刃から保護することができません。

切削の深さを部材の厚みに合わせて調整します。鋸刃が部材下に見える場合、鋸歯の一部だけが見えるようにする必要があります。

切断中は、絶対に部材を手で持ったり足に挟んだりしないでください。部材は安定した作業台に固定してください。身体への接触、鋸刃の固着、制御不能を最小限に抑えるため、部材は必ず適切に支えてください。

切削工具が隠れた配線に接触するおそれがある場合は、電動工具の絶縁されたグリップ面を保持してください。「通電」状態の電線に接触すると、電動工具の露出した金属部分も「通電」状態になり、使用者が感電するおそれがあります。

縦抜き（リップング）する場合、必ずリップングフェンスまたはストレートエッジガイドを使用してください。これにより、切断精度が向上し、鋸刃が固着する可能性が減少します。

必ずアーバに適切なサイズと形状（ひし形か丸形）の鋸刃を使用してください。機器の取り付け金具に鋸刃が適合していない場合、中心がずれて制御できなくなります。

損傷があるものや、適合しないブレードワッシャーやボルトを使用しないでください。ブレードワッシャーとボルトは、最適な性能と安全性を表現するために、本製品用に特別に設計されたものです。

キックバックの原因と関連する警告

キックバックとは、鋸刃が挟まったり、詰まったり、ずれたりした場合に突如起こる反動で、制御不能となった鋸刃が部材からせり上がり、使用者側に飛び出してくる現象です。

切断部が閉じて鋸刃が挟まったり、固着したりすると、鋸刃が停止し、モーターの反動で機械が急に使用者の方向に戻ります。

切断部で鋸刃にねじれやズレが生じた場合、鋸刃の後端の歯が木材の上面に食い込み、鋸刃が切り口から飛び出して使用者の方に跳ね返ることがあります。

キックバックは、鋸の誤使用や不適切な操作手順、操作条件によって起こるため、以下に示す適切な予防措置を取ることで回避できます。

鋸を両手でしっかりと握り、キックバックを抑えられるように腕の位置を定めてください。身体は鋸刃の左右どちらにいても構いませんが、鋸刃と一直線上にならないようにしてください。キックバックにより逆方向に機器が跳ね返ることがありますが、適切な予防措置を講じればキックバックの力は使用者側で制御できます。

鋸刃が固着または何らかの理由で動作が停止した場合、トリガーを放し、鋸刃が完全に停止するまで対象物の中で鋸が動かないように保持してください。鋸刃が動いている状態で対象物から鋸を外そうとしたり、引き戻そうとしたりしないでください。キックバックが発生するおそれがあります。刃が拘束される原因を取り除くために、調査して是正策を講じてください。

部材に挟まったまま鋸を再起動するときは、鋸歯が部材に噛み込まないように、鋸刃を切り口の中で中央に配置します。鋸刃が固着すると、鋸の再起動時に、鋸刃が部材上に浮き上がったり、キックバックしたりすることがあります。

大きな材料は適切に固定し、鋸刃の挟み込みやキックバックのリスクを最小限に抑えます。大きな材料は自重でたわむ傾向があります。材料の両側の下、切断部分と材料の端付近にサポートを必ず配置してください。

切れ味の悪い鋸刃や損傷した鋸刃は使用しないでください。砥ぎが入っていない鋸刃や正しく設定されていない鋸刃を使用すると、切り口が狭くなり、過度の摩擦、鋸刃の固着やキックバックの原因となります。

切断前に、鋸刃の深さと傾斜調整ロックレバーをしっかりと固定する必要があります。切断中に鋸刃の調整がずれると、固着やキックバックの原因になることがあります。

設置されている壁やその他の死角になる場所に鋸を入れる場合は、細心の注意を払ってください。鋸刃が突き出して物を切断してしまい、キックバックの原因となることがあります。

ロアガード機能

毎回使用前に、ロアガードが正しく閉じていることを確認してください。ロアガードが自由に動かず、すぐに閉じない場合は、鋸を操作しないでください。ロアガードを開位置に固定したり結んだりしないでください。誤って鋸を落とした場合に、ロアガードが曲がる可能性があります。格納ハンドルでロアガードを持ち上げ、ロアガードが自由に動き、どの切り込み角度と深さでも鋸刃やその他の部分に接触しないことを確認します。

ロアガードスプリングの動作を点検します。ガードとスプリングが正常に動作していない場合は、使用前に整備する必要があります。ロアガードは、部品の損傷、付着物の固着、または異物の堆積で、動作が鈍くなることがあります。

ロアガードは、「ブランチカット」や「複合カット」などの特殊カットの場合にのみ、手で格納できます。格納ハンドルでロアガードを持ち上げ、鋸刃が部材に入ったらすぐにロアガードを解除してください。その他の加工時は、ロアガードは自動的に動作します。

鋸を作業台や床に置く前に、必ずロアガードが鋸刃を覆っていることを確認してください。保護がなくなれば鋸刃が動いてしまうと、鋸が逆方向に動き、動いている刃に当たるものはすべて切断してしまいます。スイッチを放した後、鋸刃が停止するまで時間がかかることに注意してください。

追加の安全上の注意事項および作業指示

個人用保護具を使用してください。保護メガネを常に着用してください。適切な状況の下で防塵マスク、滑り止めの付いた安全靴、ヘルメット、聴力保護具のような保護具を使用すると、人身傷害が減少されます。

本製品を使用する際に発生する粉塵は、健康を害する恐れがあります。粉塵を吸い込まないでください。吸塵システムを使用し、適切な防塵マスクを着用してください。集塵機などを使用して、堆積した粉塵を完全に除去してください。

付属品の定格速度は、最低でも本電動工具に記載されている最高速度と同じでなければなりません。定格回転速度よりも速く動作する付属品は、壊れて飛び散る可能性があります。

切断する材料に適したソーブレードを選択する必要があります。

本取扱説明書で指定されている、EN 847-1 に準拠した木工用鋸刃のみを使用してください。

本取扱説明書に記載されているキーデータ以外の鋸刃を使用しないでください。

本製品には研磨用ディスクを使用しないでください。

作業前の調整時や保守・点検時は、本体からバッテリーを取り外してください。

使用中、ガードを正しく取り付ける必要があります。本製品はガードを正しく取り付けずに使用しないでください。ガードを取り付けずに本製品を操作した場合、大けがを引き起こすおそれがあります。

ソーブレードカバーにひびや破損がある場合は、速やかに認定専門ワークショップに連絡の上、交換してください。このカバーに欠陥がある場合や紛失している場合は、製品を動作させないでください。

クランプ装置でワークピースをクランプします。ワークピースをクランプしないと、重大な怪我や損傷を引き起こすことがあります。

本製品を手で握りながら使用する場合は、オン/オフスイッチをオンの位置に固定しないでください。

刃先の過熱を防ぎ、プラスチック切断時にワークが溶けないように、送り速度を調整します。

A 警告! 保護カバーと切粉台車を取り付けられていないときは、絶対に製品を操作しないでください。重傷を負うおそれがあります。怪我の危険性を減らすために、切粉台車を取り外すときは、サイドシールド付きの安全ゴーグルか眼鏡を着用してください。削りくずや破片が顔に飛散する場合があります。

特定の使用条件

コードレス丸鋸は、木材を縦方向に切断し、留め継ぎの合い口を正確に形成できます。

本製品を他の用途では使用しないでください。

残存リスク

製品が規定どおりに使用された場合でも、特定の残存する危険因子を完全に排除することは不可能です。使用中に以下の危険が発生することがあり、作業者は以下を回避するために特に注意する必要があります。

- ブレードとの接触によるけが
 - ブレードは非常に鋭利で、使用中に高温になります。ブレード交換時は手袋を着用してください。切断部には常に手を近づけないでください。切断中は、絶対に部材を手で持ったり足に挟んだりしないでください。できるだけワークを固定してください。
- 振動によるけが
 - 所定のハンドルを持って本製品を保持し、作業時間や暴露を制限します。
- 騒音により生じる聴覚の異常
 - 耳保護具を着用して、曝露を制限します。
- 飛散した破片によるけが
 - 目の保護具、高強度の長ズボン、グローブ、安全靴をつねに着用してください。
- 有毒な粉塵の吸い込みによる健康上の危険性
 - 適切な防塵マスクを着用してください。

バッテリーの安全上の注意事項

リチウムイオン電池の使用

使用済みのバッテリーパックは家庭ゴミと一緒に廃棄したり、燃やしたりしないでください。ミルウォーキー (MILWAUKEE) 販売店では、環境保護のために古いバッテリーを回収いたします。

金属片などと一緒にバッテリーパックを保管しないでください。ショートの実験性があります。

M18システム・バッテリーの充電には、M18システムの充電器しか使用できません。別のシステムのバッテリーと混ぜて使用しないでください。

バッテリーと充電器は絶対に分解しないでください。バッテリーと充電器は湿度の低い屋内で保管してください。

極端な負荷や温度によってバッテリーが損傷し、液漏れが発生する場合があります。漏れ出た液と接触した場合は、直ちに石鹸と水で洗い流してください。目に入った場合は、少なくとも10分間流水ですすいだし、直ちに医師の診察を受けてください。

充電器の金属端子部に金属片などを接触させないでください。ショートの実験性があります。

しばらく使用していないバッテリーパックは使用前に再度充電を行ってください。

50℃を超える温度下ではバッテリーパックの性能が低下します。直射日光や高熱に長時間さらさないようにしてください(オーバーヒートの危険性があります)。

充電器とバッテリーパックの接触部はつねに清潔な状態にしてください。最適な寿命を保つため、使用後はバッテリーをフル充電した後保管してください。

A 警告! バッテリーに関する詳細な安全警告 漏電による火災、人的損傷、製品破損のリスクを軽減するために、製品、バッテリーパック、充電器を液体に浸したり、液体を流入させたりすることは絶対にしないでください。海水、特定の工業用化学物質、漂白剤または漂白剤を含む製品などの腐食または伝導性誘導体は、漏電の原因となることがあります。

バッテリー寿命を最大に保つためにバッテリーをフル充電してから充電器から取り外してください。

バッテリーパックを30日以上保管する場合:

- 温度27℃度未満で湿気がない場所に保管する。
- 30~50%の充電状態で保管する。
- 6ヶ月ごとにバッテリーを通常通りに充電する。

リチウムイオンバッテリー用バッテリー保護

極めて高いトルク、ピンディング、停動、および高電流を引き起こす短絡状態では、製品は約5秒間振動して燃料計が点滅してからオフになります。リセットするには、トリガーを解除してください。

過酷な状況下では、バッテリーパックの内部温度が上昇しすぎる可能性があります。この現象が起きると、バッテリーパックが冷たくなるまで燃料計が点滅します。ライトが消えた後も作動し続けてください。

リチウムイオン電池の運搬

リチウムイオンバッテリーは、危険物規制の要件の対象となります。

このバッテリーの輸送は、地域、国、および国際的な規定および規制に従って行わなければならない。

ユーザーが実施ができるバッテリーの地上輸送には、それ以上の要件はありません。

第三者によるリチウムイオンバッテリーの商業輸送には、危険物規制が適用されます。輸送の準備と輸送は、適切な訓練を受けた人員のみが実施し、その作業には対応する専門家の同行が必要です。

バッテリーを輸送する場合:

- バッテリーの接触端子は、漏電を防ぐために保護と絶縁の処理がされていることを確認してください。
- バッテリーパックがパッケージ内で動かないように固定されていることを確認してください。
- ひびが入ったり液漏れが発生しているバッテリーは輸送しないでください。
- 詳細については、運送会社に確認してください。

電気ブレイキ

スイッチトリガーを放すと、電気ブレイキが作動してブレードが停止し、作業を継続できます。通常、この刃は2秒以内に停止します。ただし、スイッチトリガーを放してからブレイキがかかるまでに遅延が生じることがあります。時折、ブレイキがまったく効かないことがあります。ブレイキがからない事態が頻繁に発生する場合は、MILWAUKEE 認定サービスセンターで製品の整備が必要です。

必ずブレードが完全に停止してから、本製品をワークから取り外してください。

保守

ブレードの脱着をする前に、必ず本製品からバッテリーパックを取り外してください。

製品と保護システムを乾いた布で拭きます。特定の洗浄剤と溶剤は、プラスチックなどの絶縁部にとって有害です。製品のハンドルは清潔で乾燥した状態に保ち、漏油やグリースが付着しないようにしてください。保護カバーの機能を確認します。定期的なメンテナンスとクリーニングによって、長期にわたり安全に操作することが可能になります。

充電の際、充電器の排気口を塞がないでください。

定期的にはごりを払ってください。火災の発生を防ぐため、本製品内に蓄積したおがくずを取り除いてください。

ブレードガード部分におがくずや異物がたまるないようにしてください。異物がたまって製品の動作が鈍くなると、重傷を負う事故に繋がるおそれがあります。圧縮空気を使用してブレードガード部分を清掃する場合は、適切な個人用防護具を着用してください。

ミルウォーキー (MILWAUKEE) の純正アクセサリとサービスパーツをご使用ください。記載されていない部品を交換する必要がある場合は、MILWAUKEE サービスセンターにお問い合わせください(保証リスト

またはサービス所在地リストを参照してください。

必要に応じて、製品の分解立体図をご注文いただけます。製品タイプとシリアル番号をラベルにご記入のうえ、お近くのサービスセンターで分解立体図をご注文ください。

記号



製品の使用を開始する前に、指示を注意深くお読みください。



注意！警告！危険！



作業前の調整時や保守・点検時は、本体からバッテリーを取り外してください。



力をかけないでください。



製品を使用する際は、必ずゴーグルを着用してください。



耳栓を使用してください。



適切な防塵マスクを着用してください。



手袋を着用してください。



回転方向



アクセサリ - 標準装置には含まれていません。付属品として購入頂けます。

n_0

無負荷回転数

V

電圧



直流



自治体の廃棄物に分類されない廃棄電池、電気機器、電子機器は廃棄しないでください。廃棄電池、電気機器、電子機器は、分別して収集する必要があります。廃棄バッテリー、廃棄アキュムレータ、および光源は、装置から取り外す必要があります。リサイクル方法や回収場所については、お住いの地域の自治体または販売店にご確認ください。自治体の規定によっては、小売業者は廃棄電池や電気機器、電子機器を無償で持ち帰る義務を有する場合があります。廃棄電池、電気機器、電子機器を再利用・リサイクルすることで、材料の必要性を減らすことができます。特にリチウムや電気電子機器の廃棄物などを含む廃棄バッテリーには、リサイクル可能な貴重な材料が含まれており、環境に適合した方法で廃棄しないと、環境と人間の健康に悪影響を及ぼす可能性があります。廃棄機器に個人情報が入っている場合は、削除してください。



961097148-01B